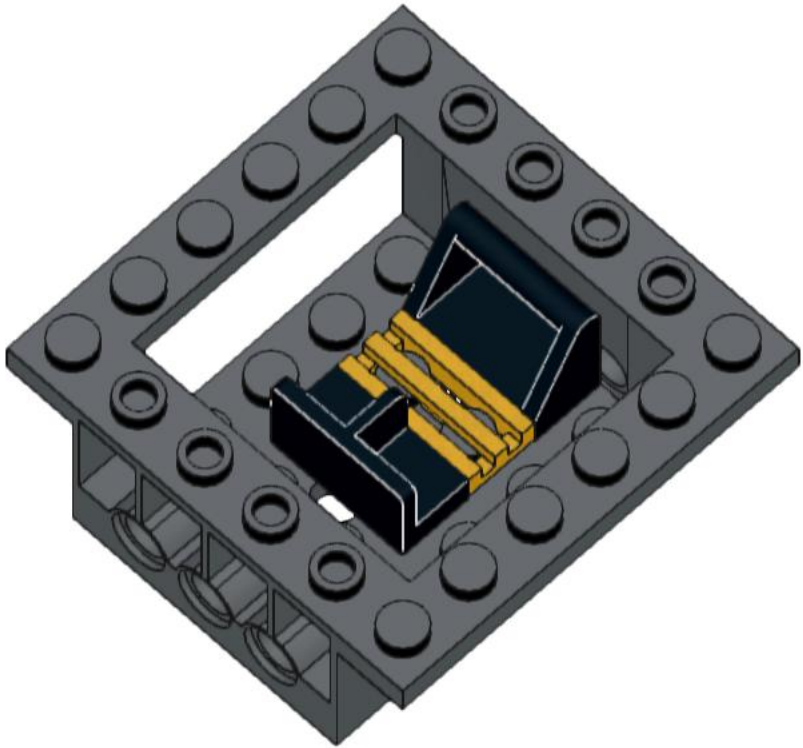
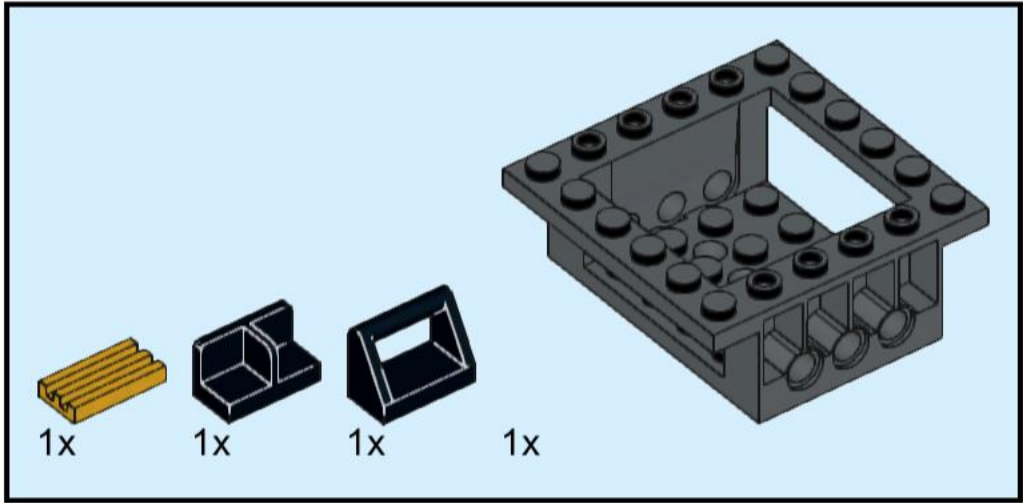
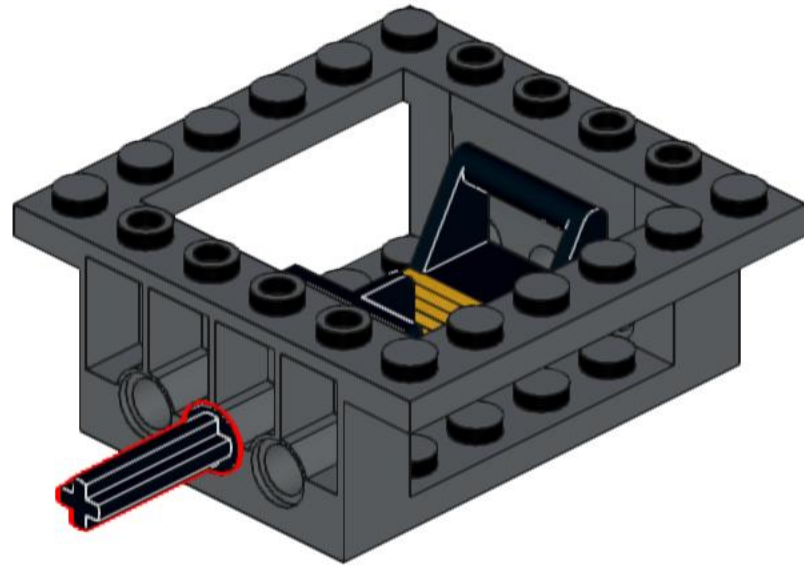
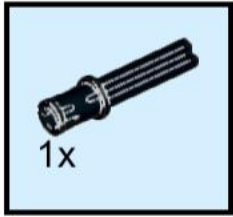


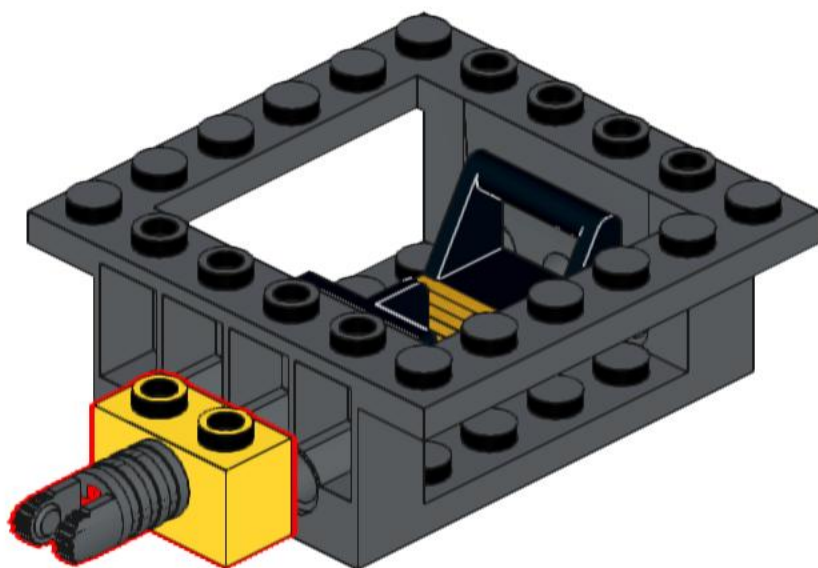
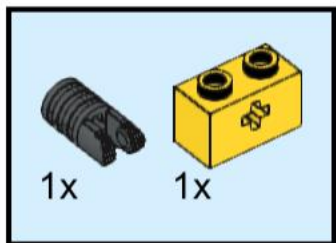
1



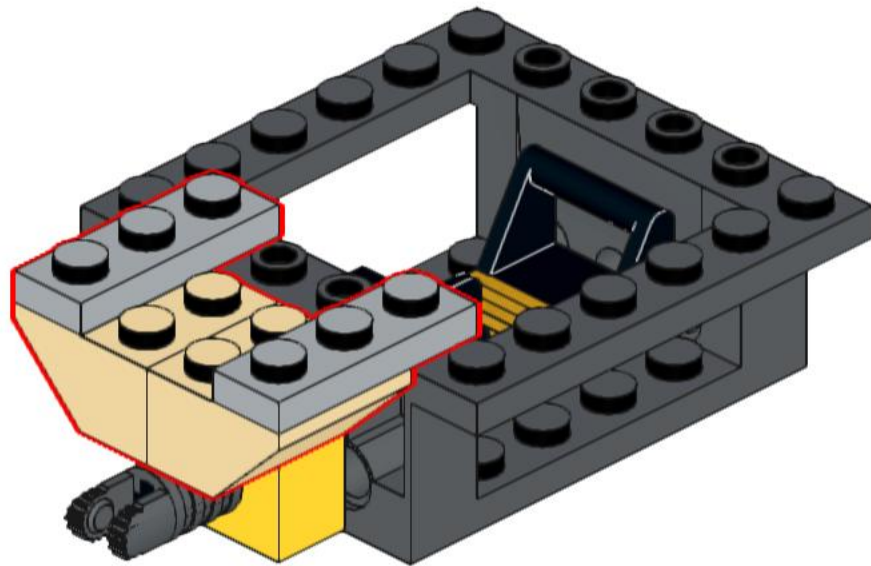
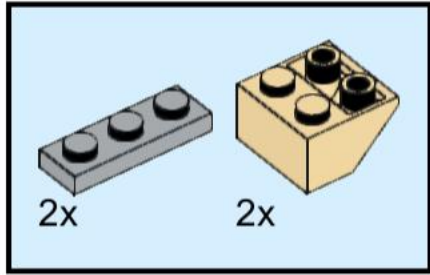
2



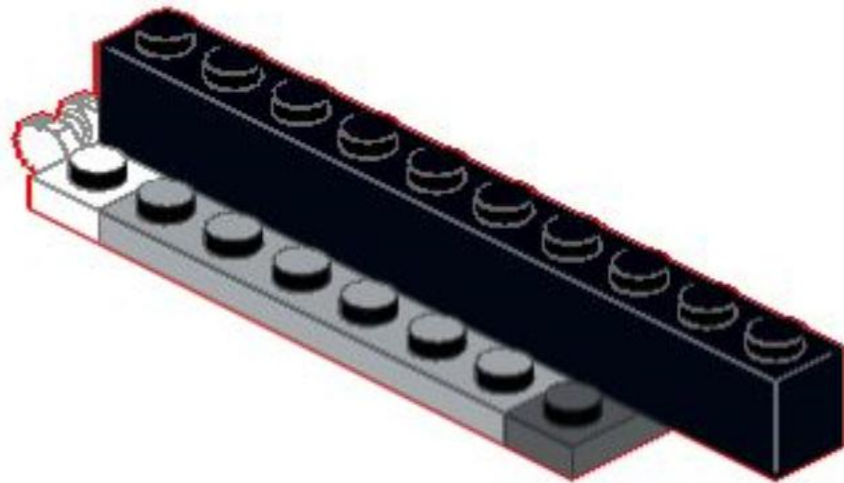
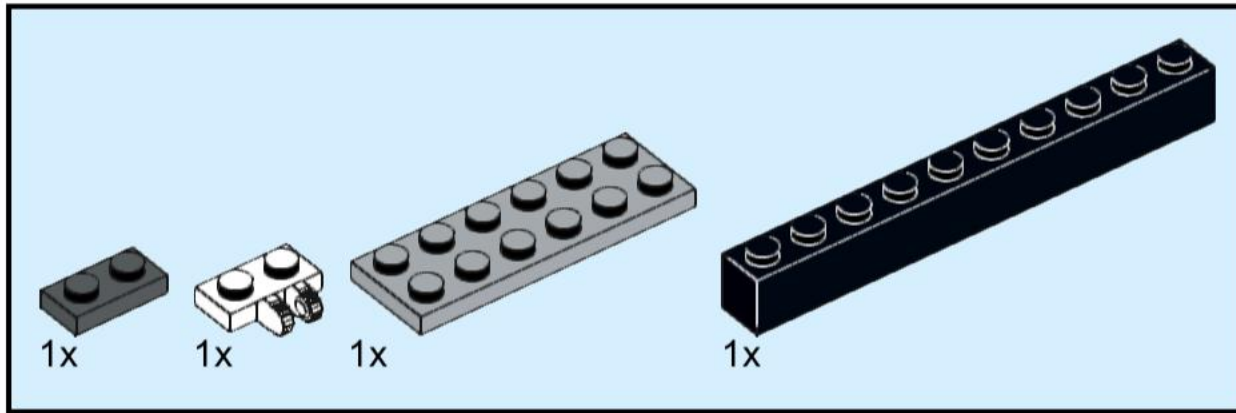
3



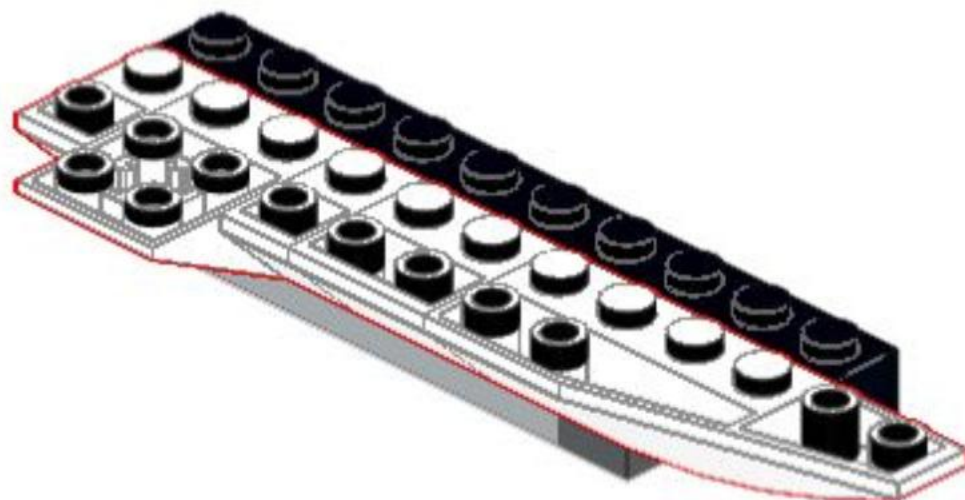
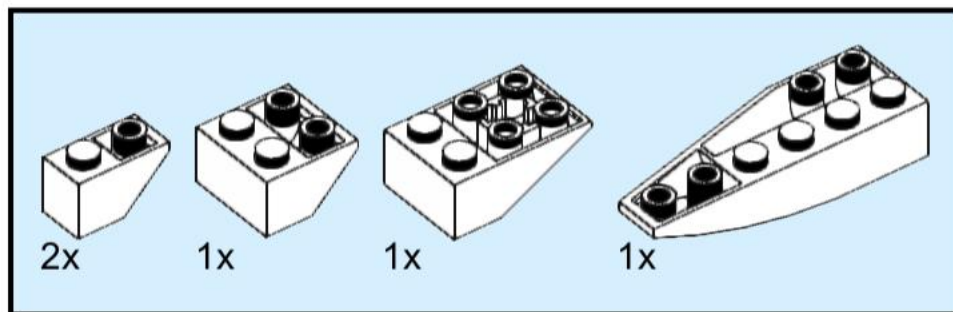
4



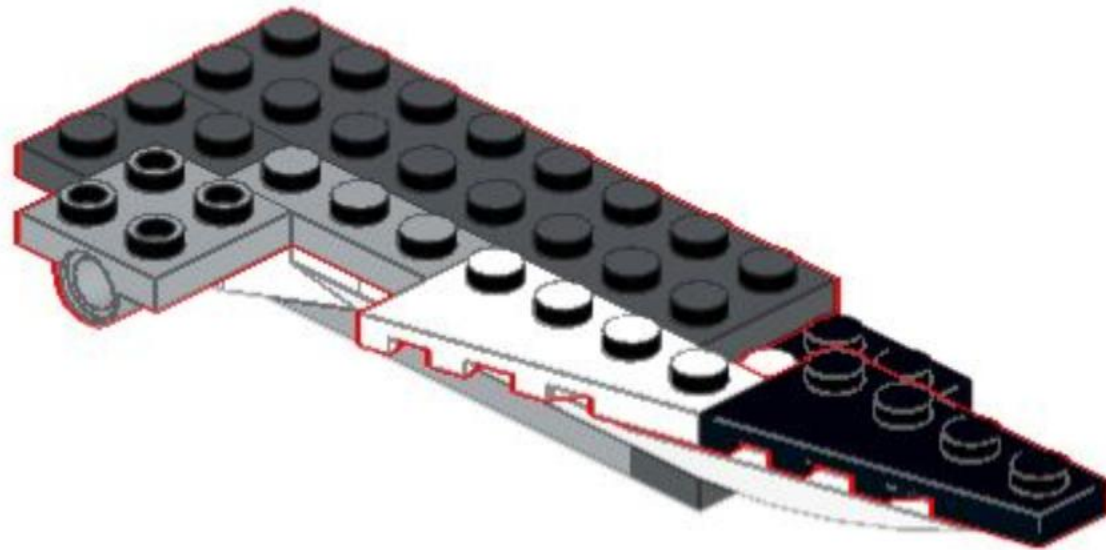
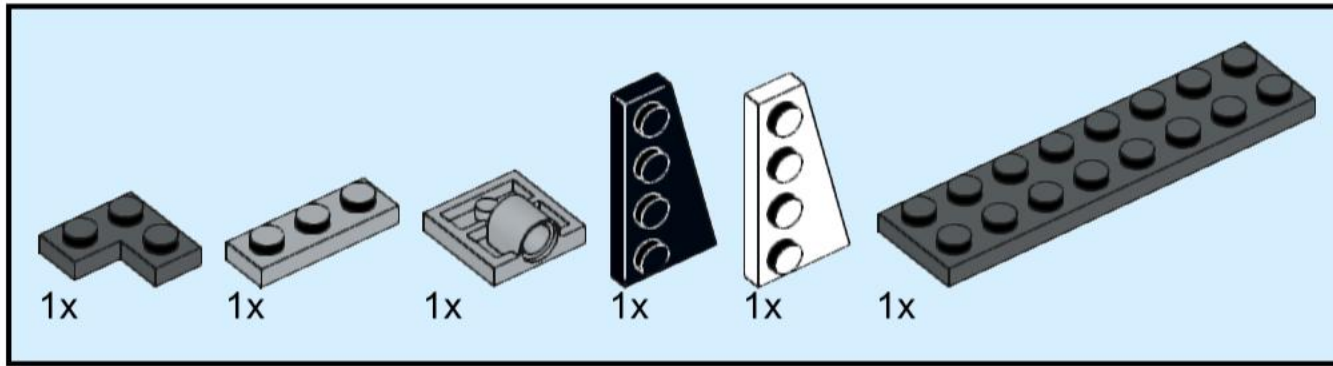
5

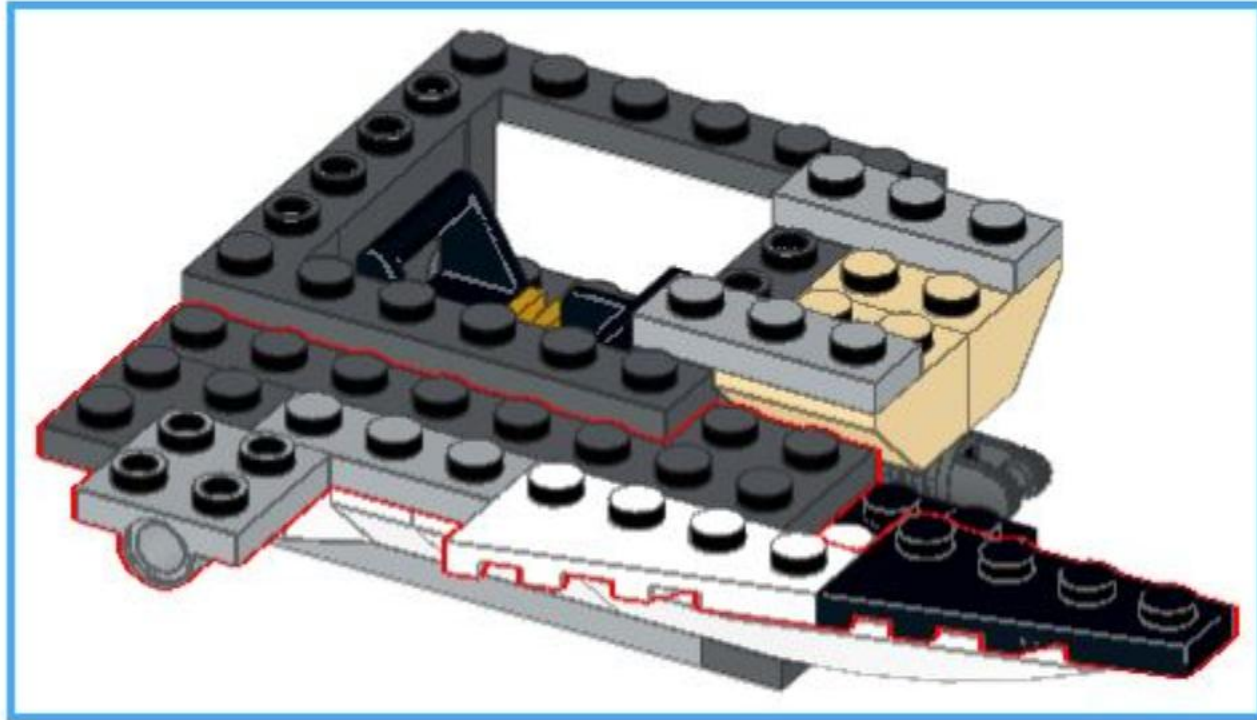


6

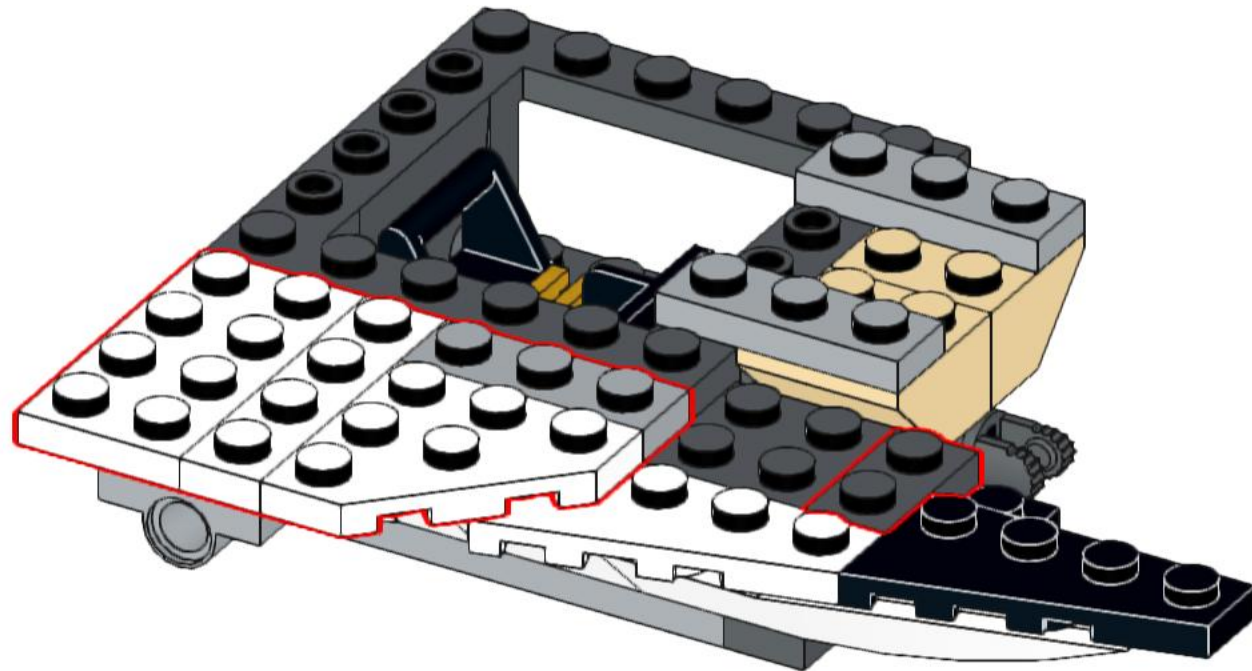
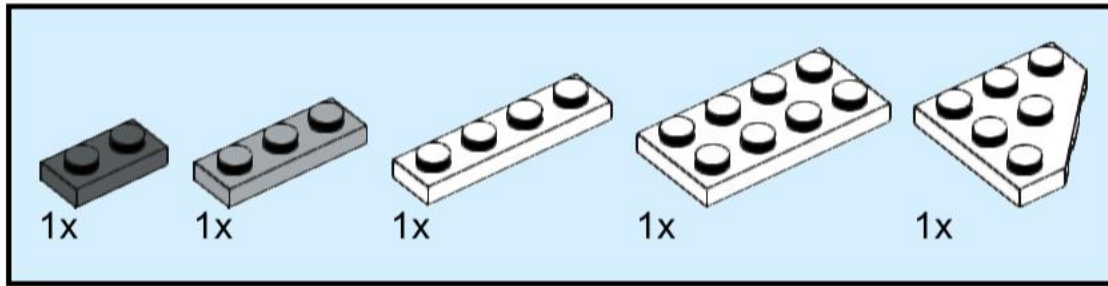


7

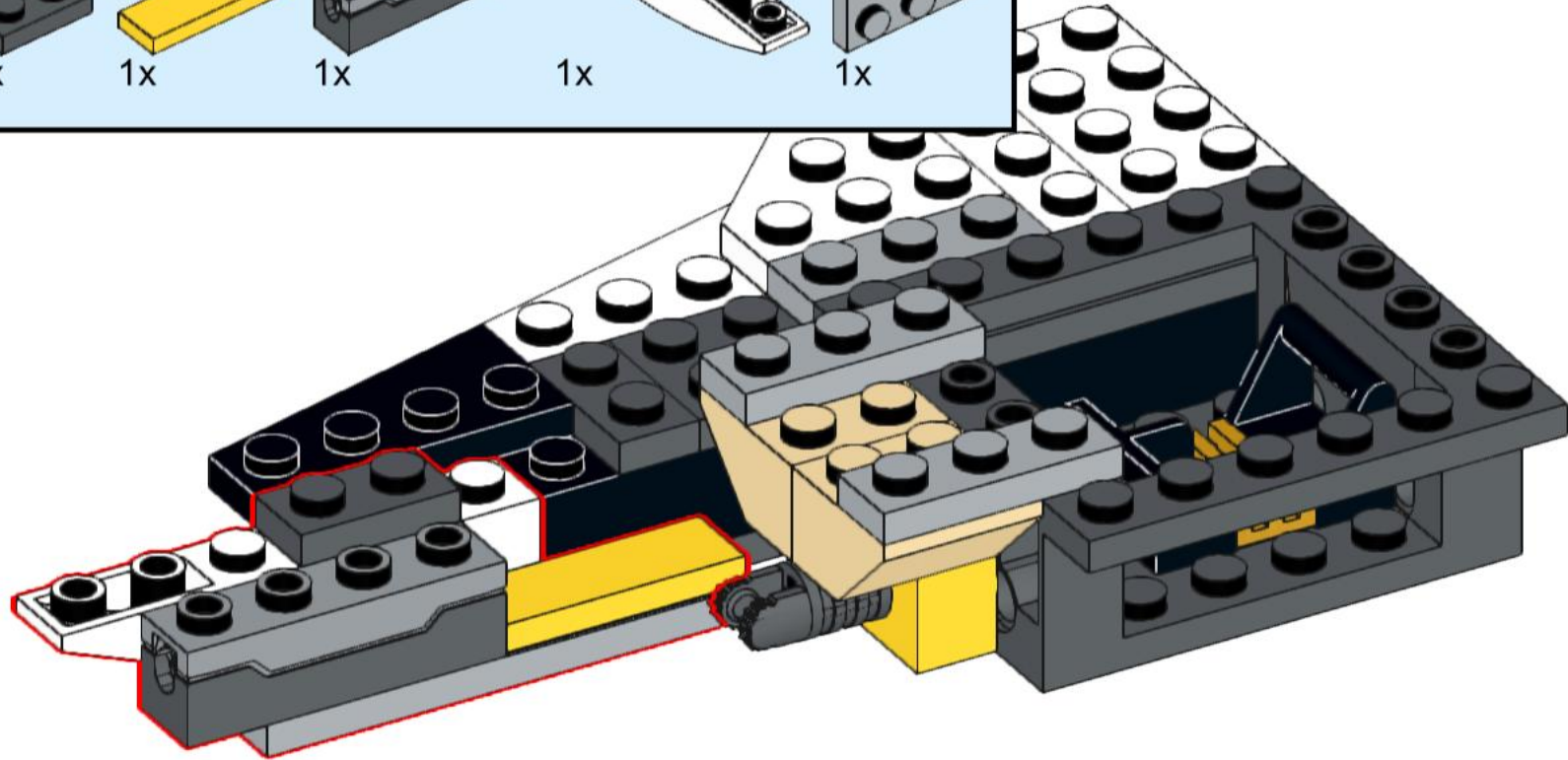
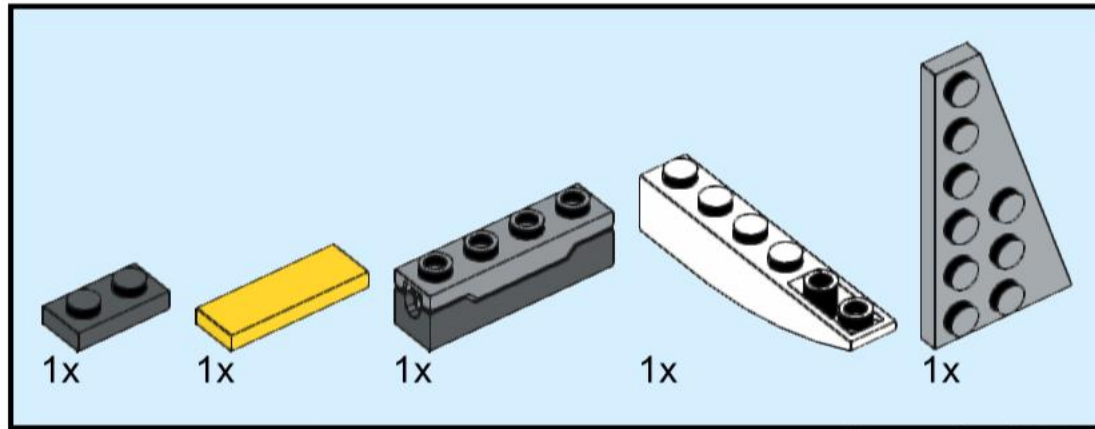




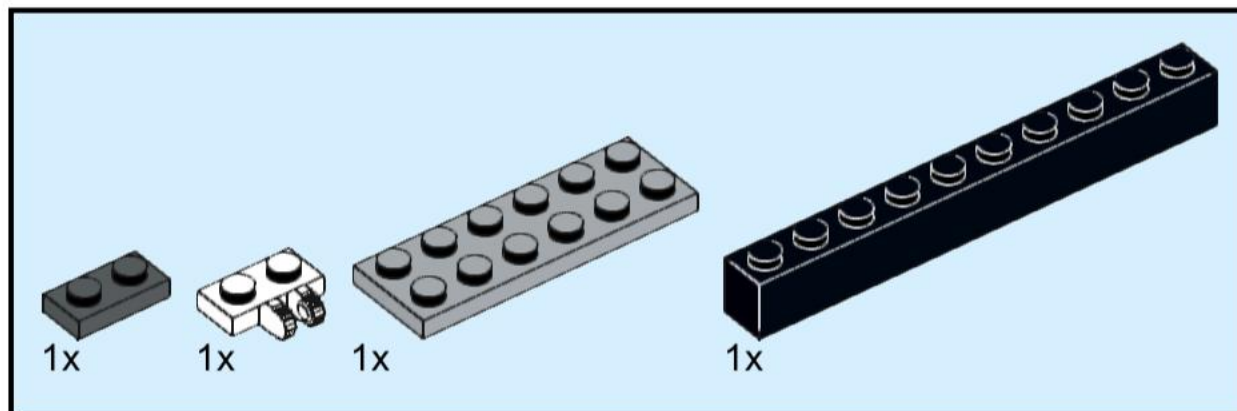
8



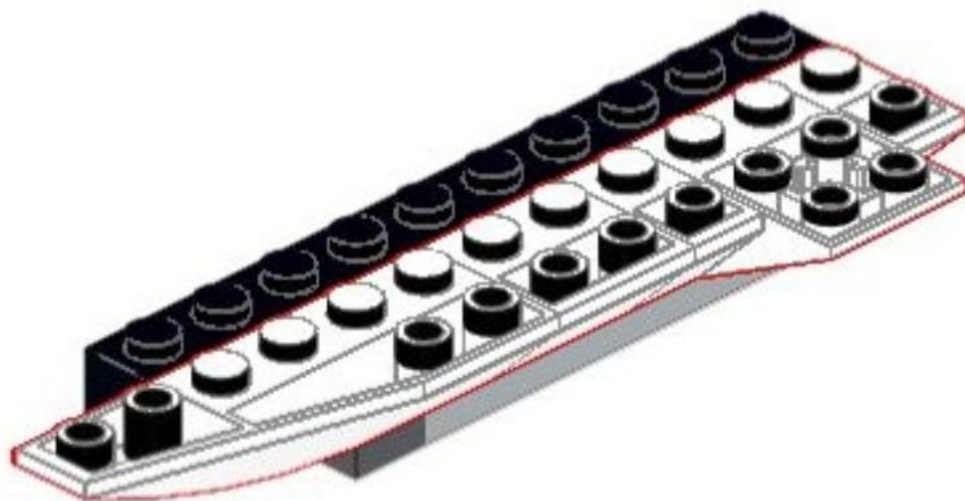
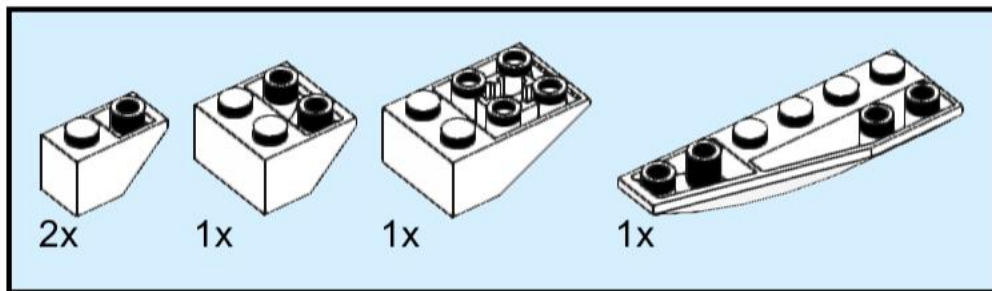
9



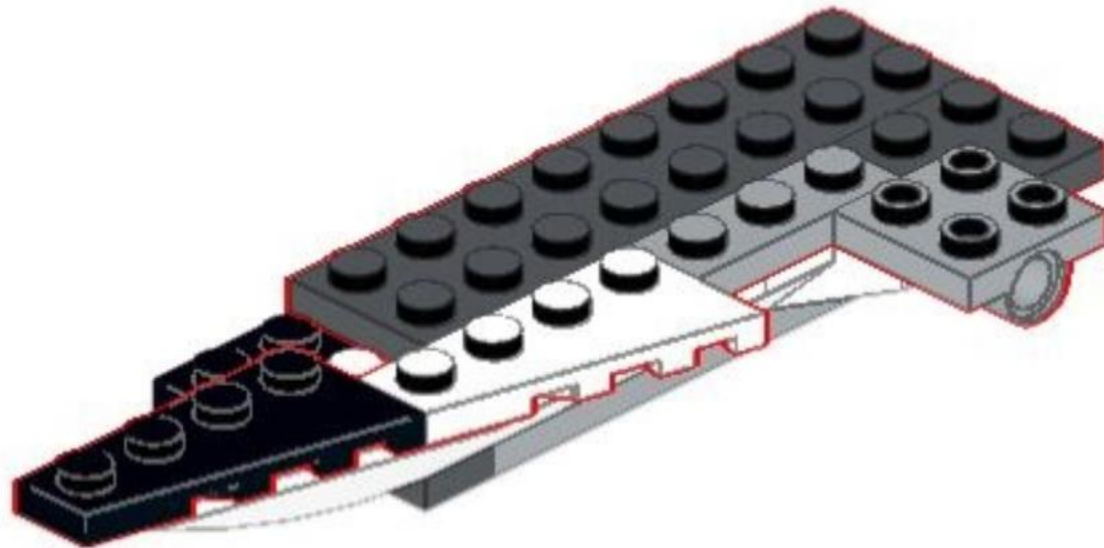
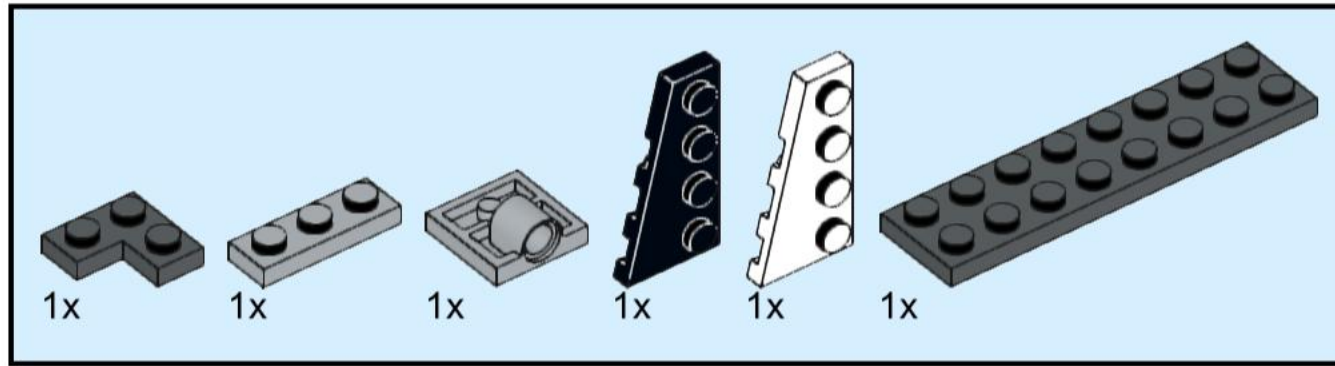
10

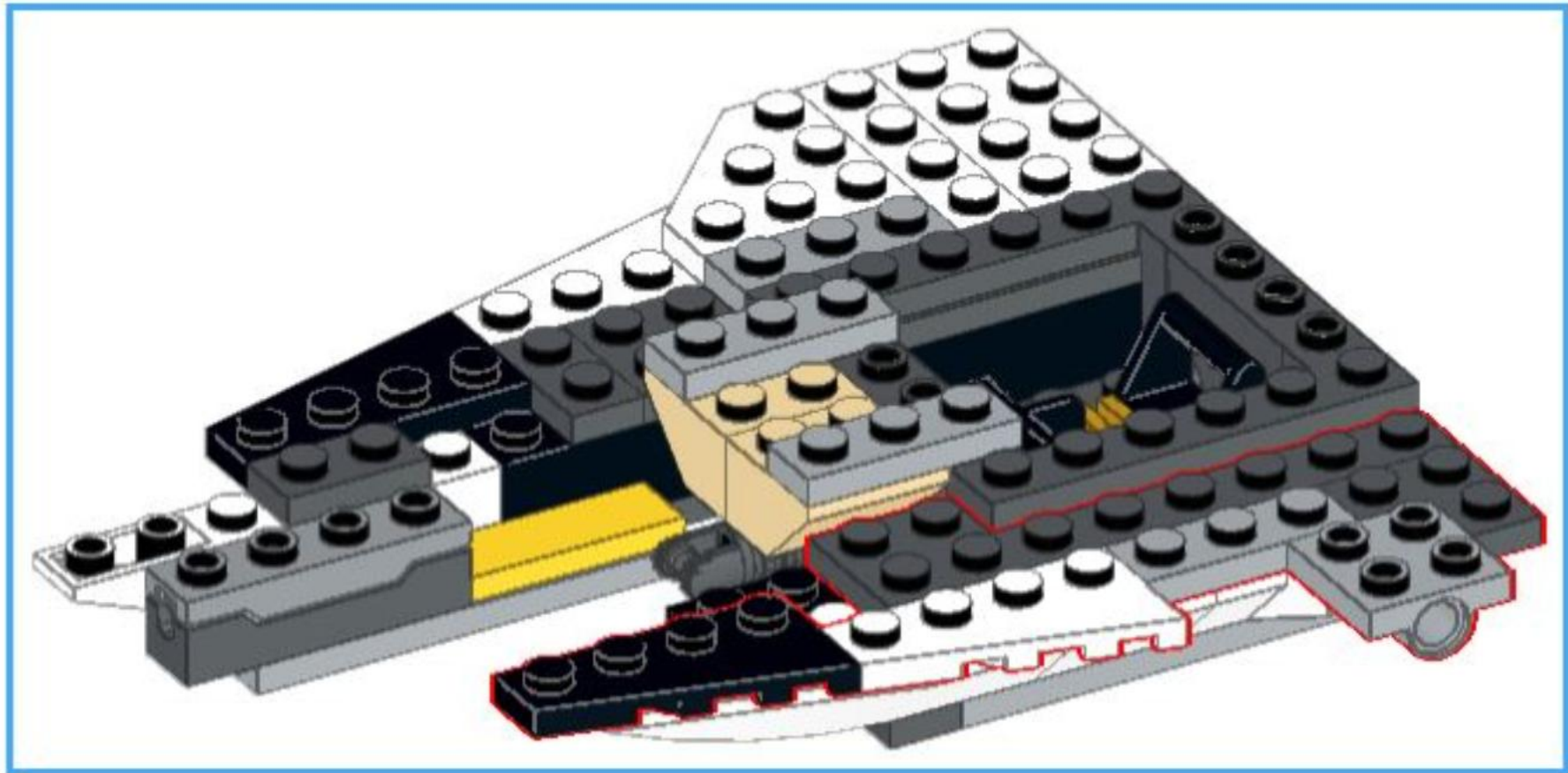


11

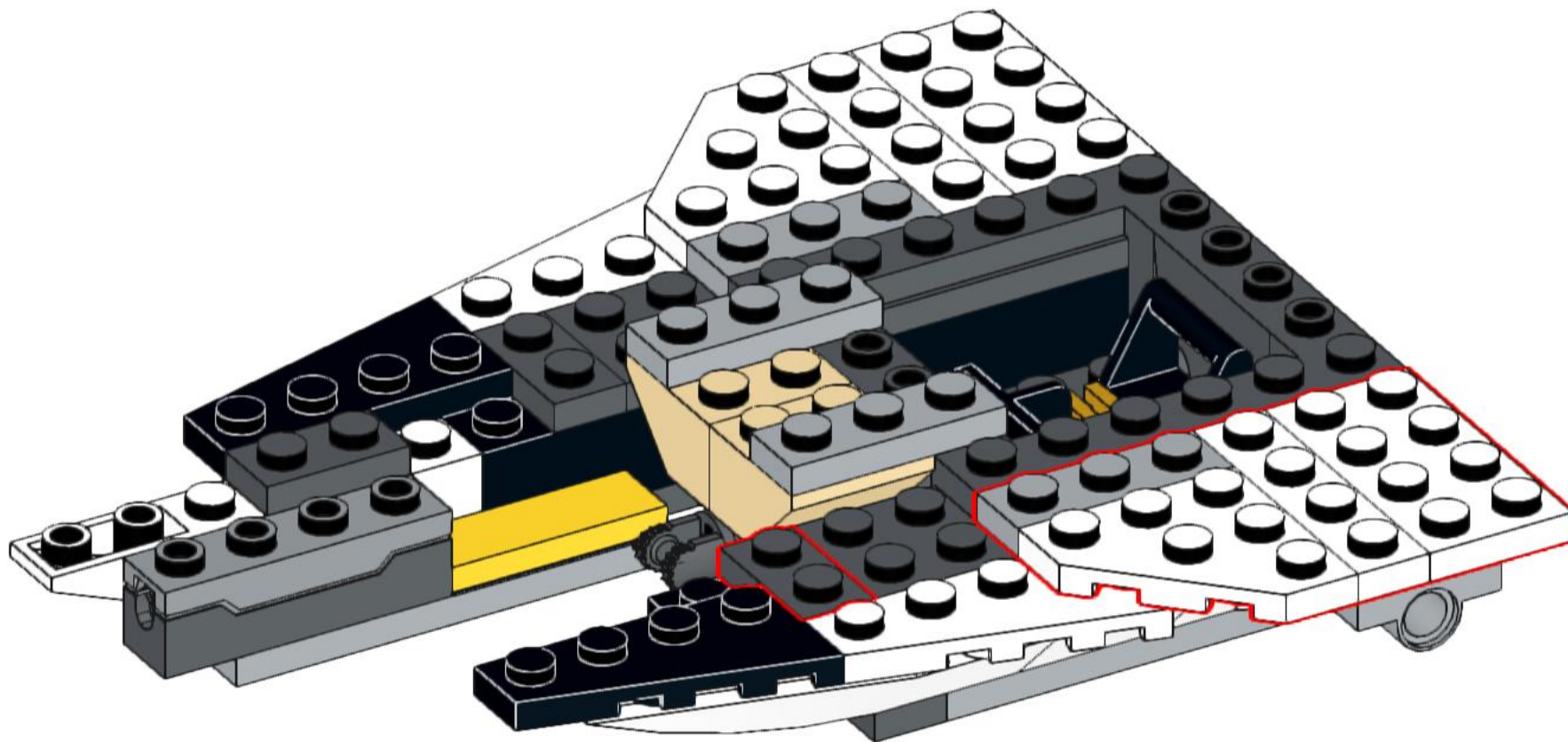
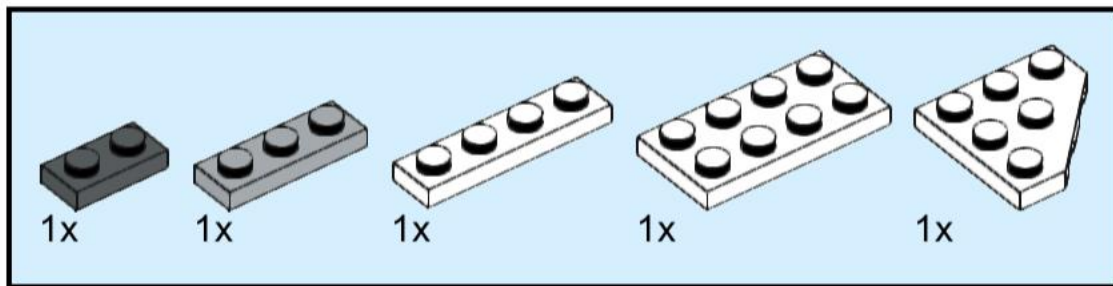


12

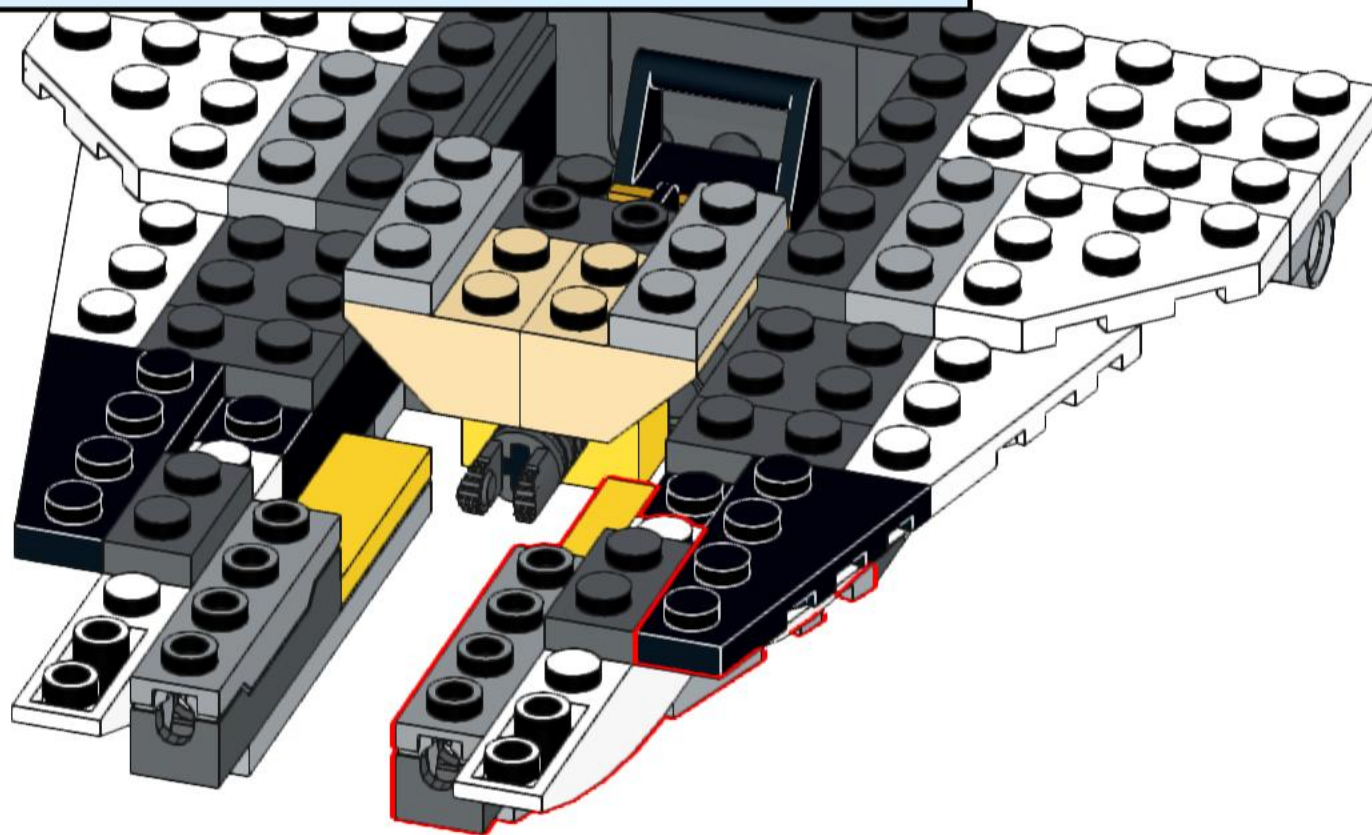
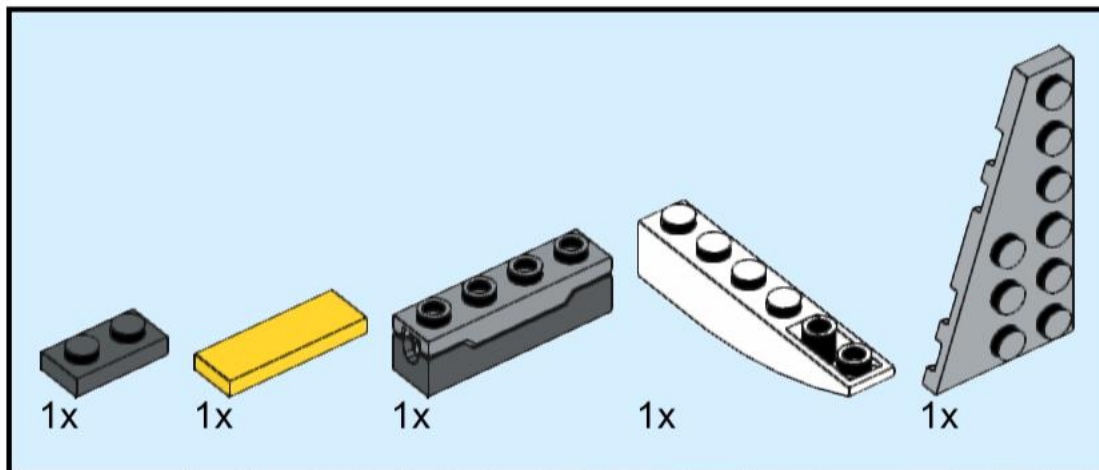




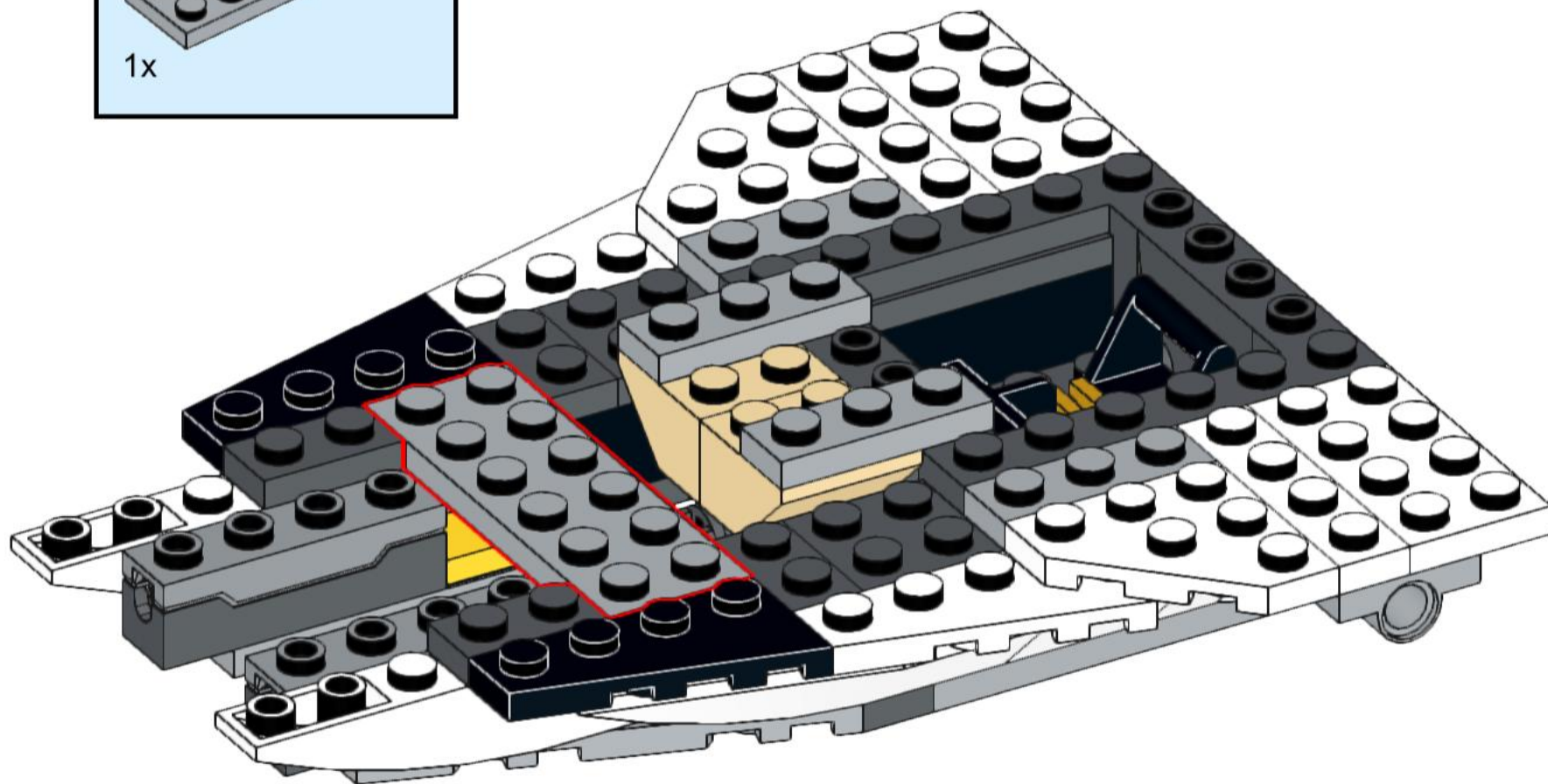
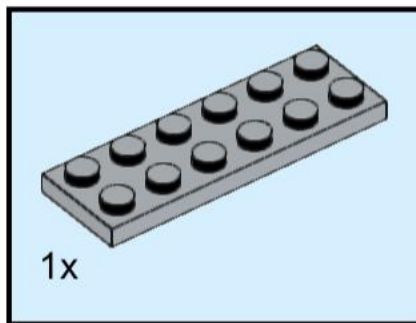
13



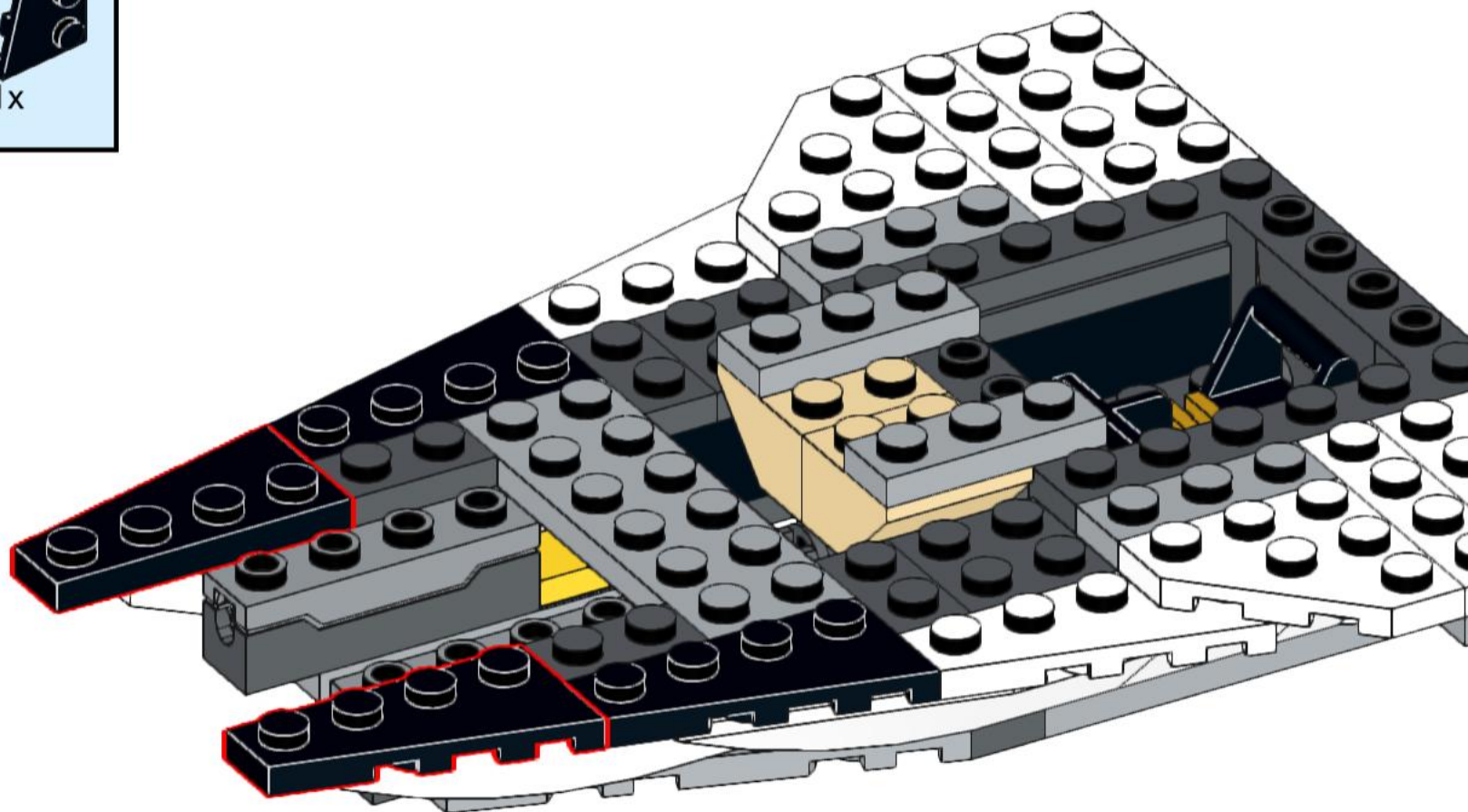
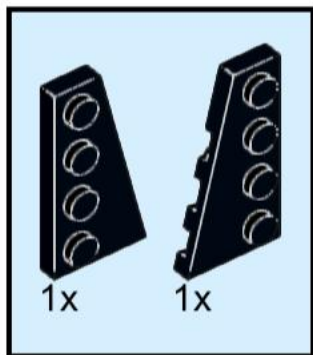
14



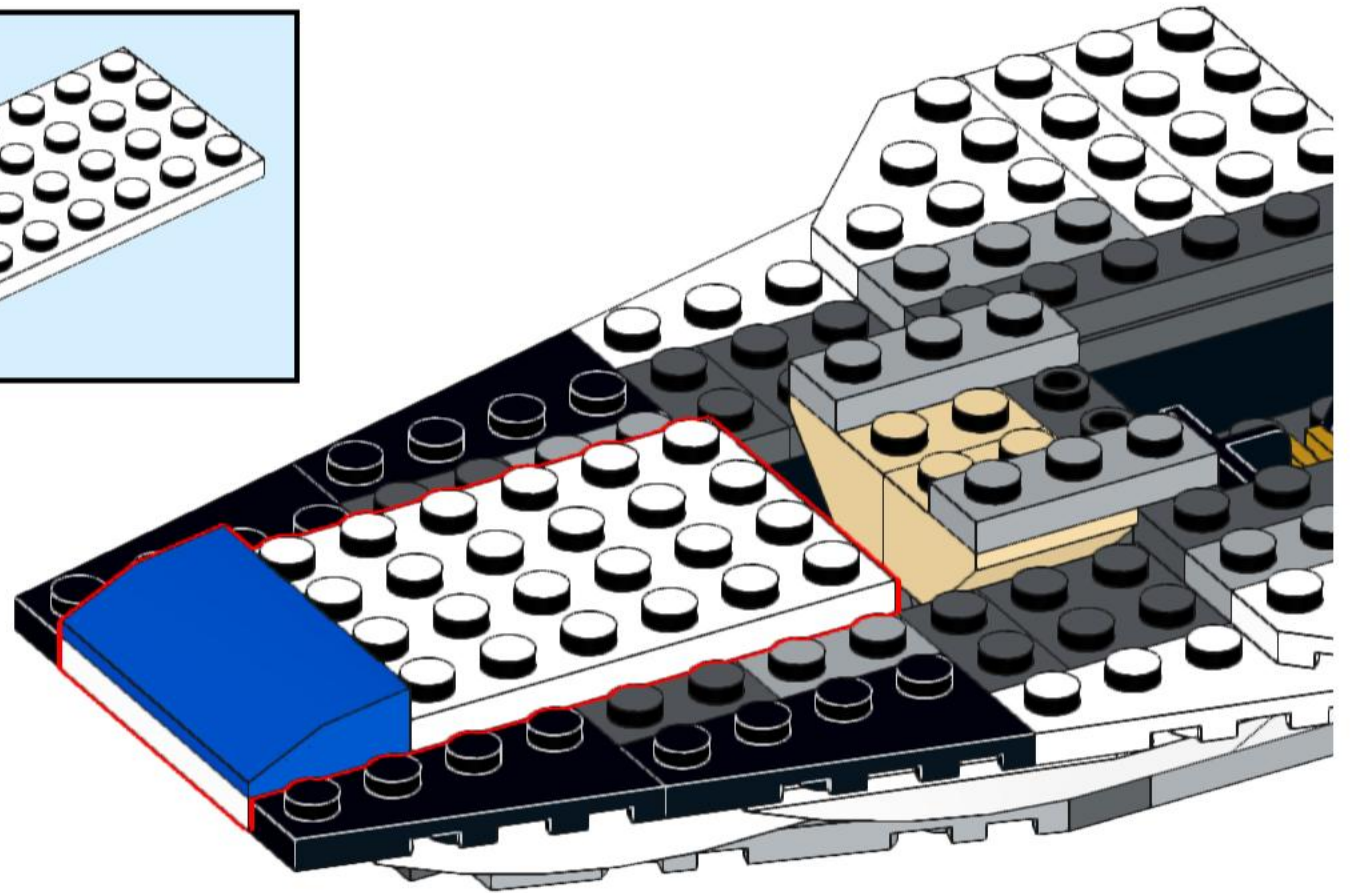
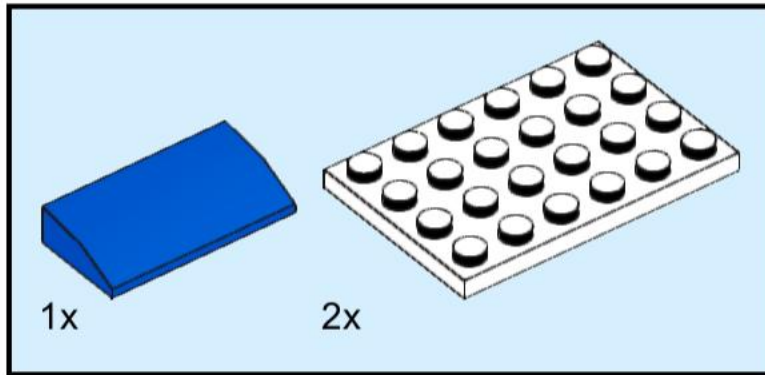
15



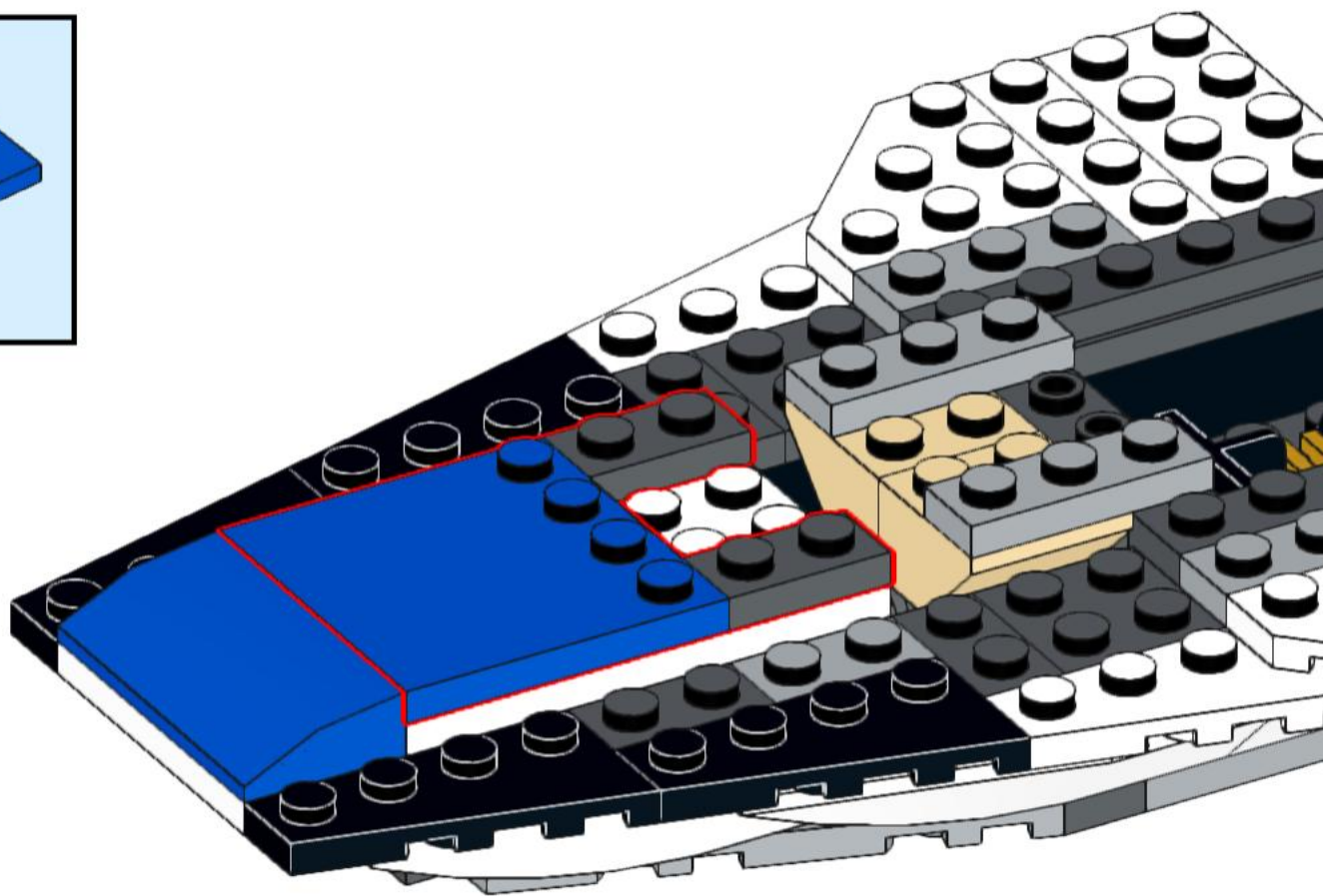
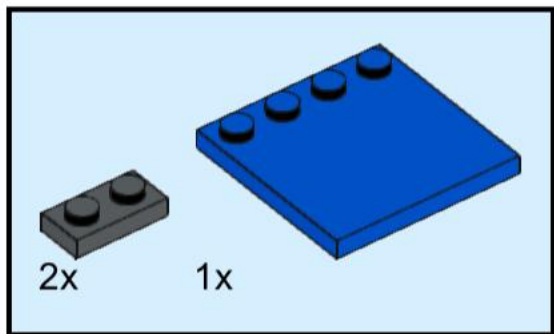
16



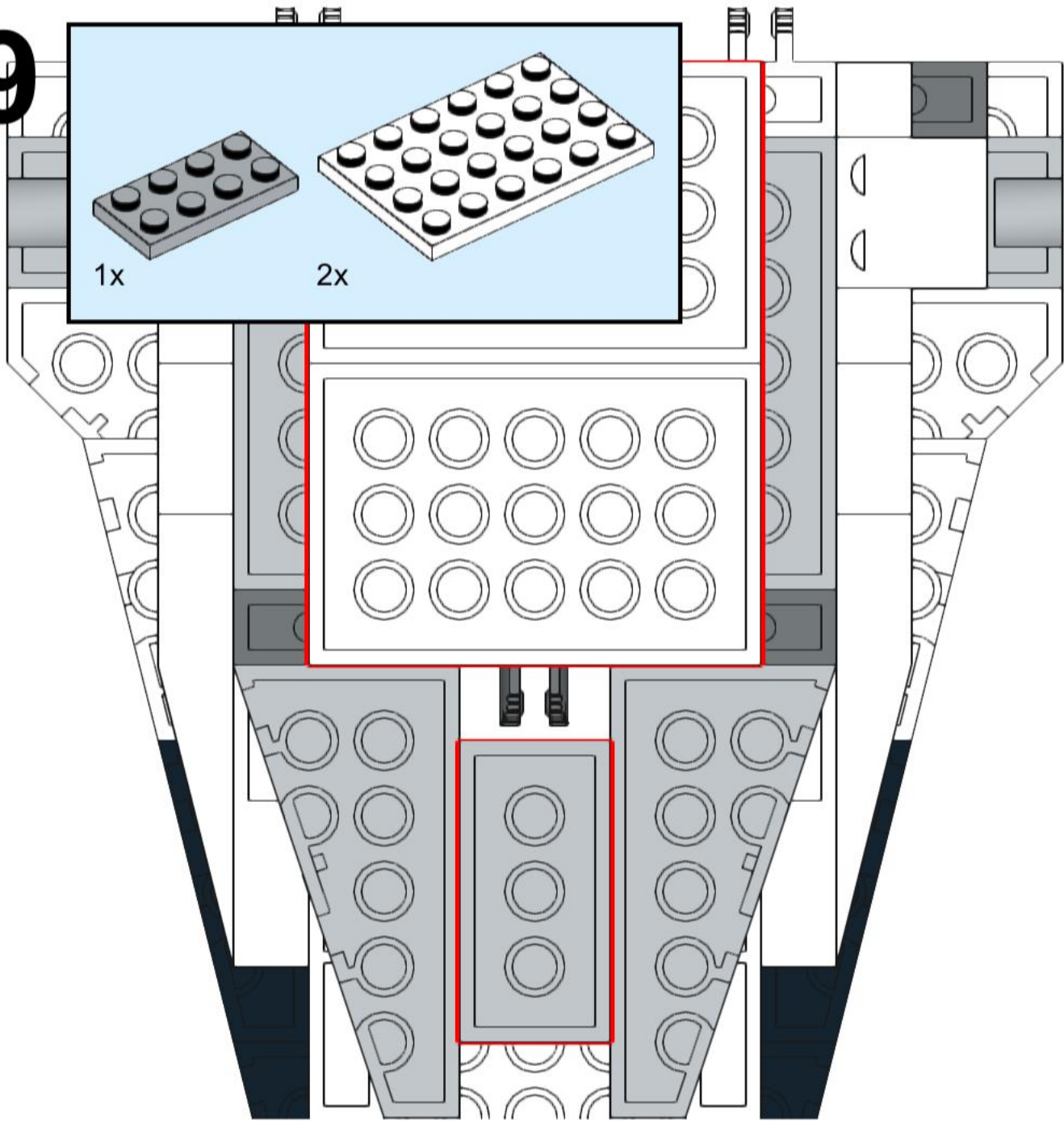
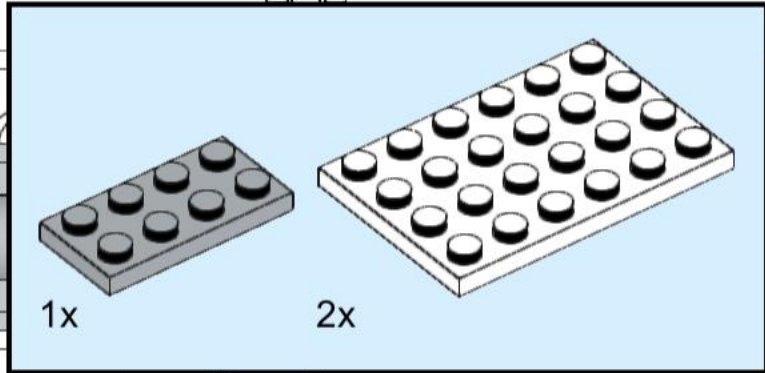
17



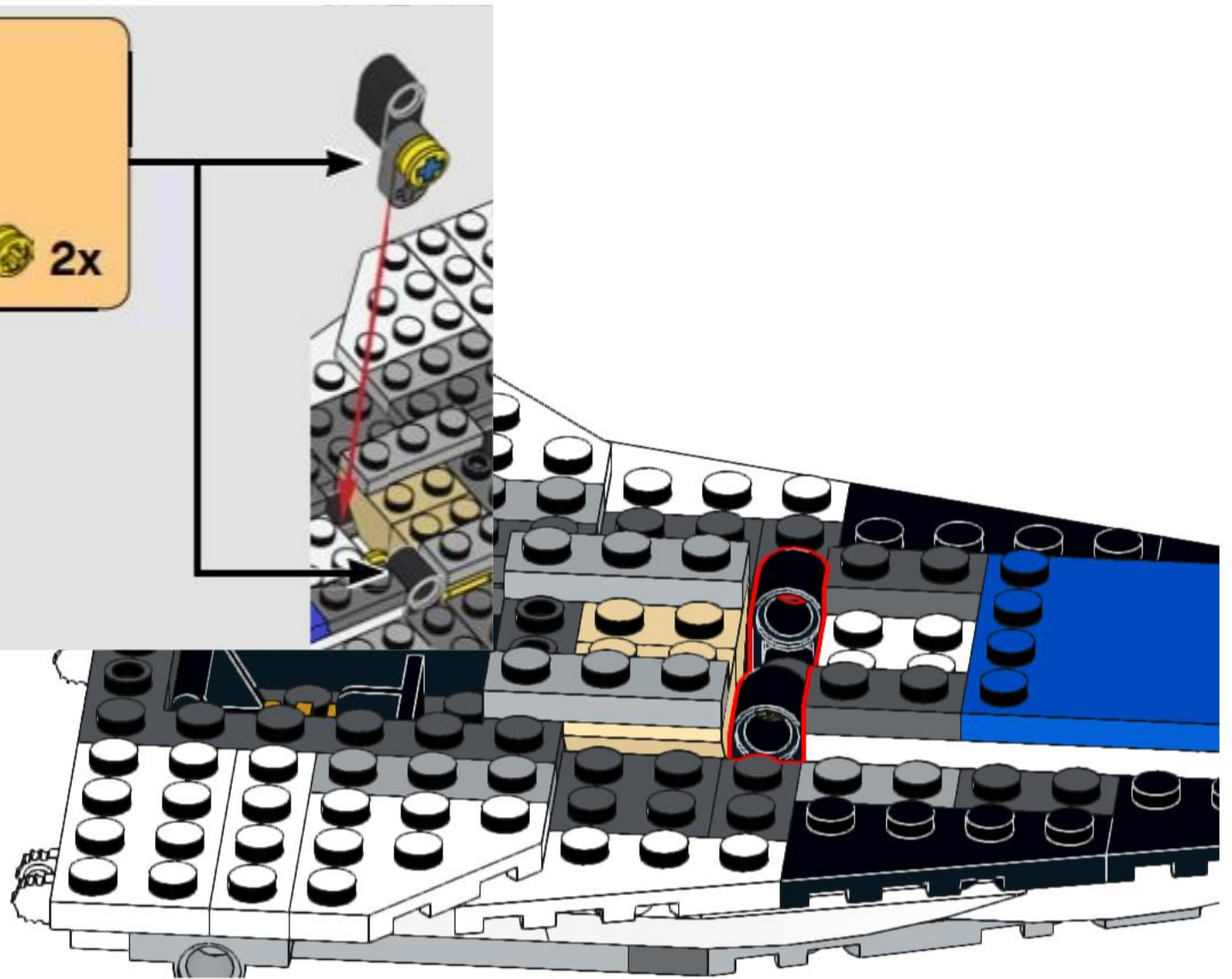
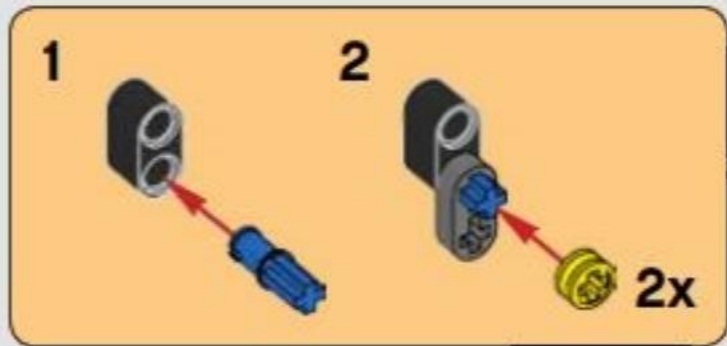
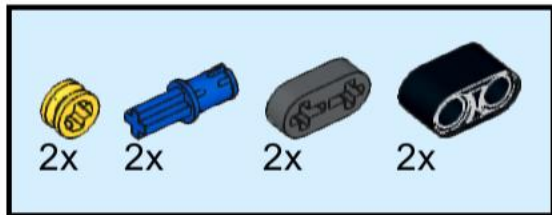
18



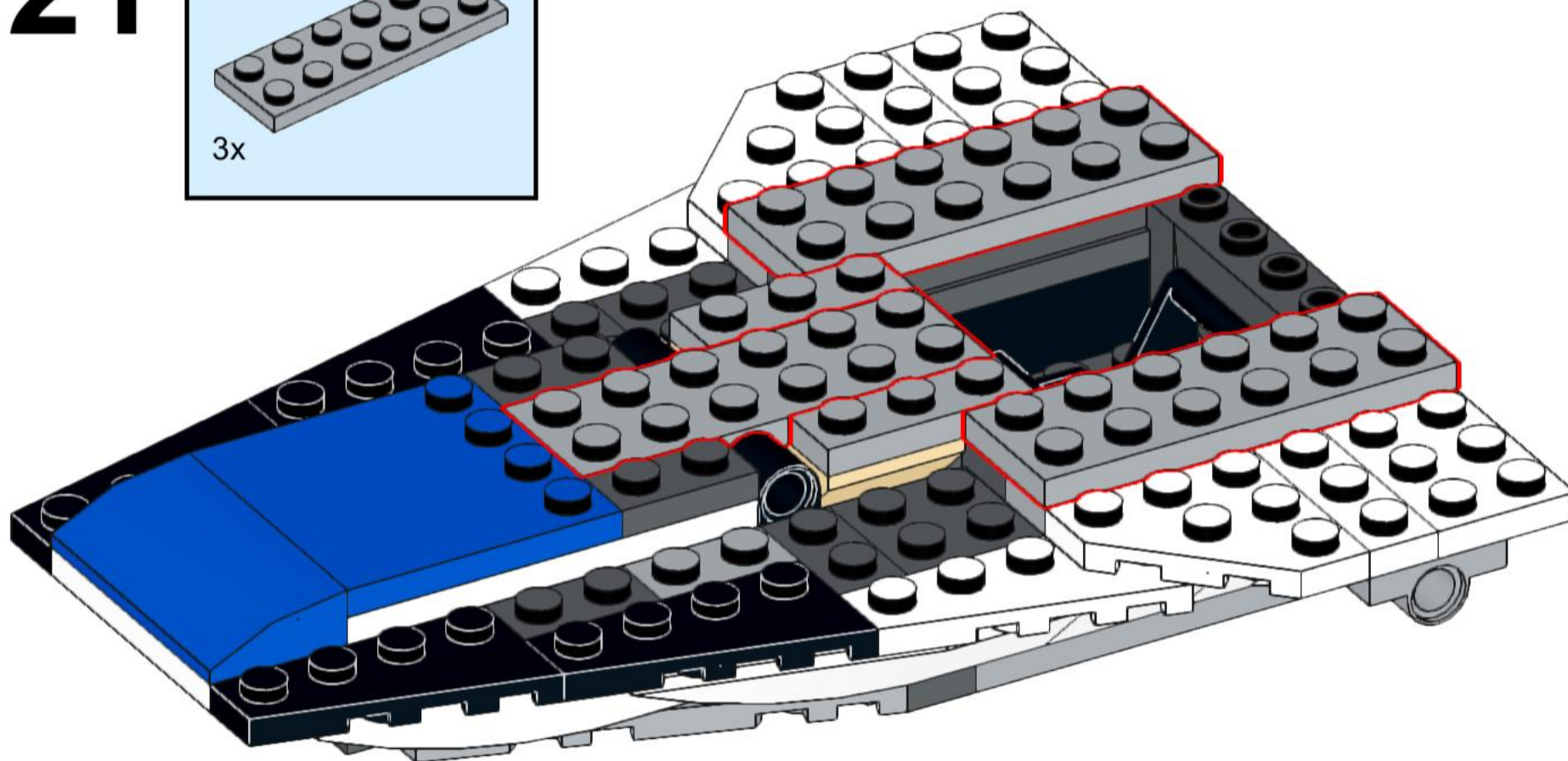
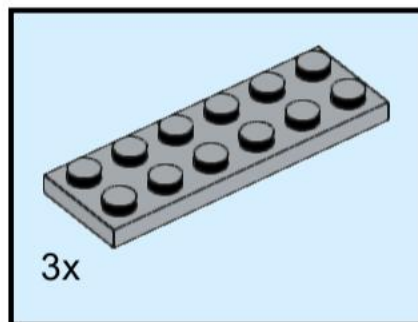
19



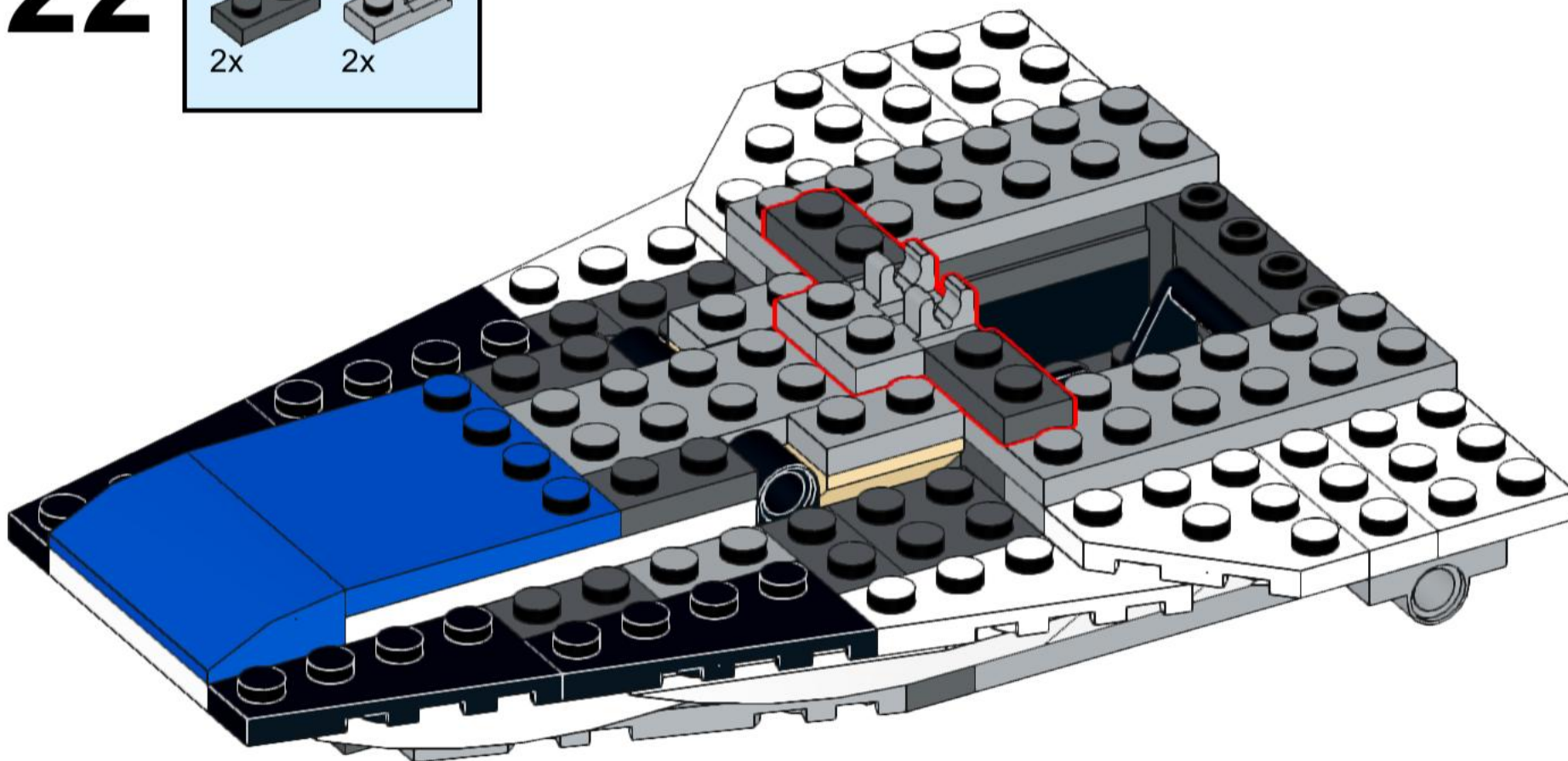
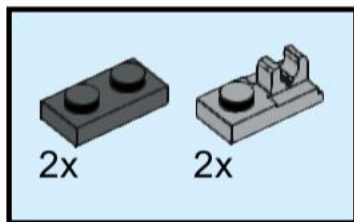
20



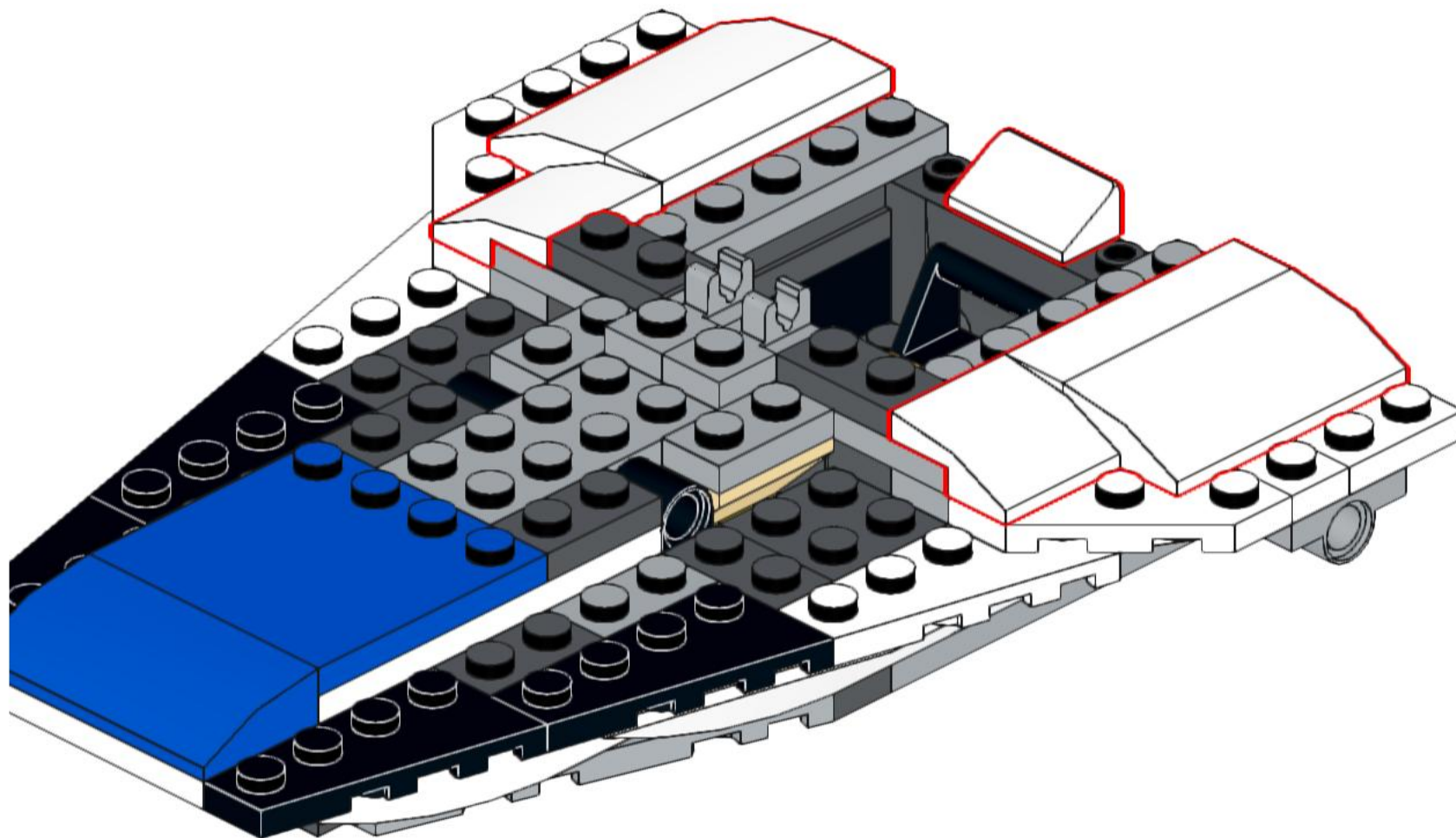
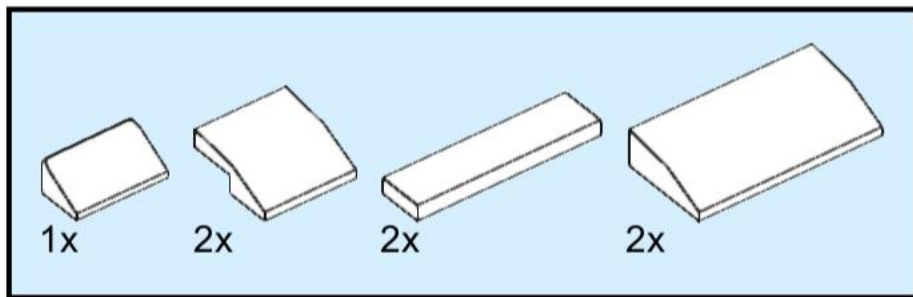
21



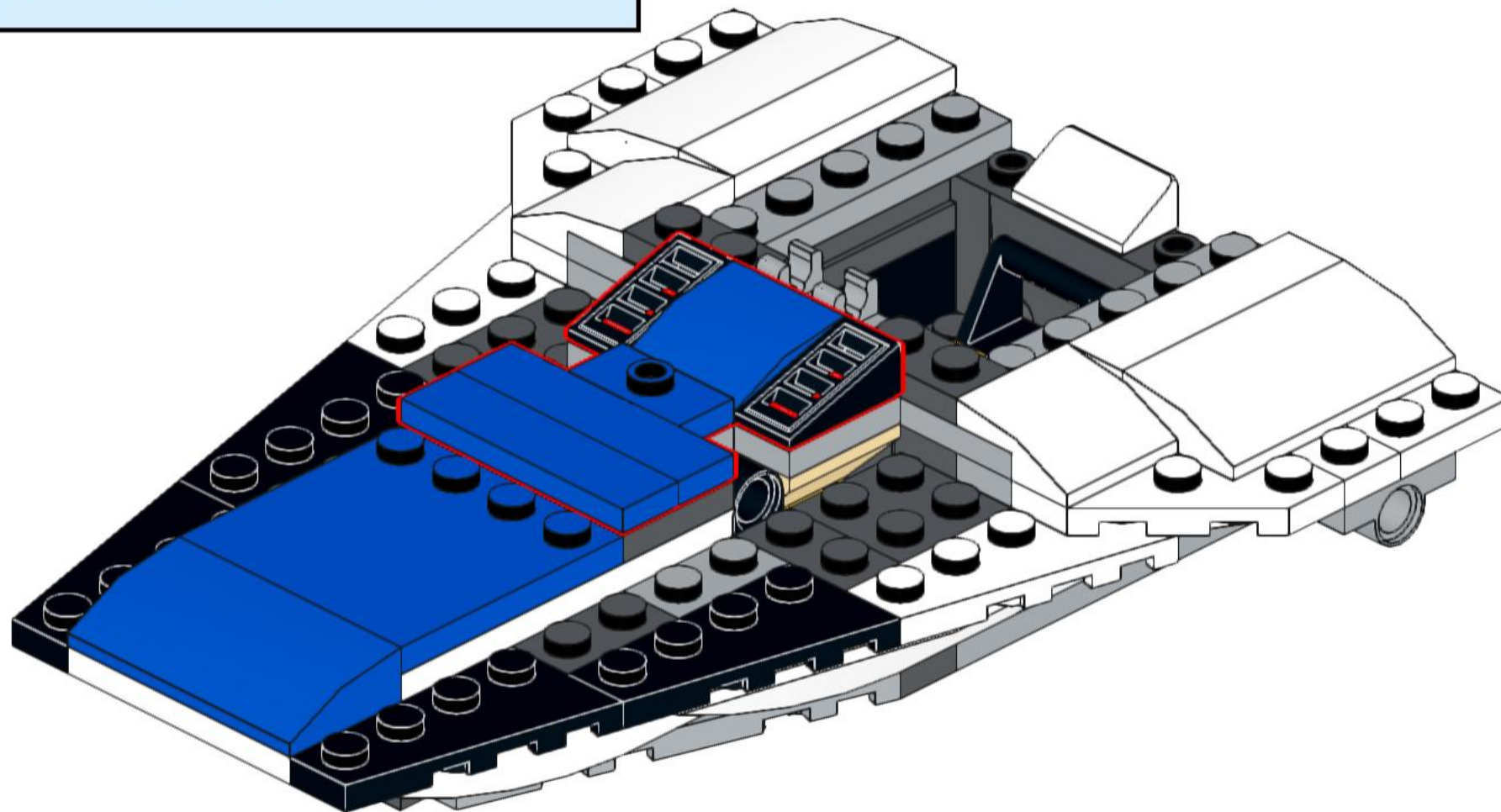
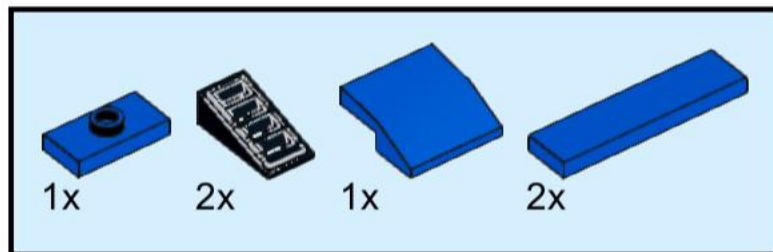
22



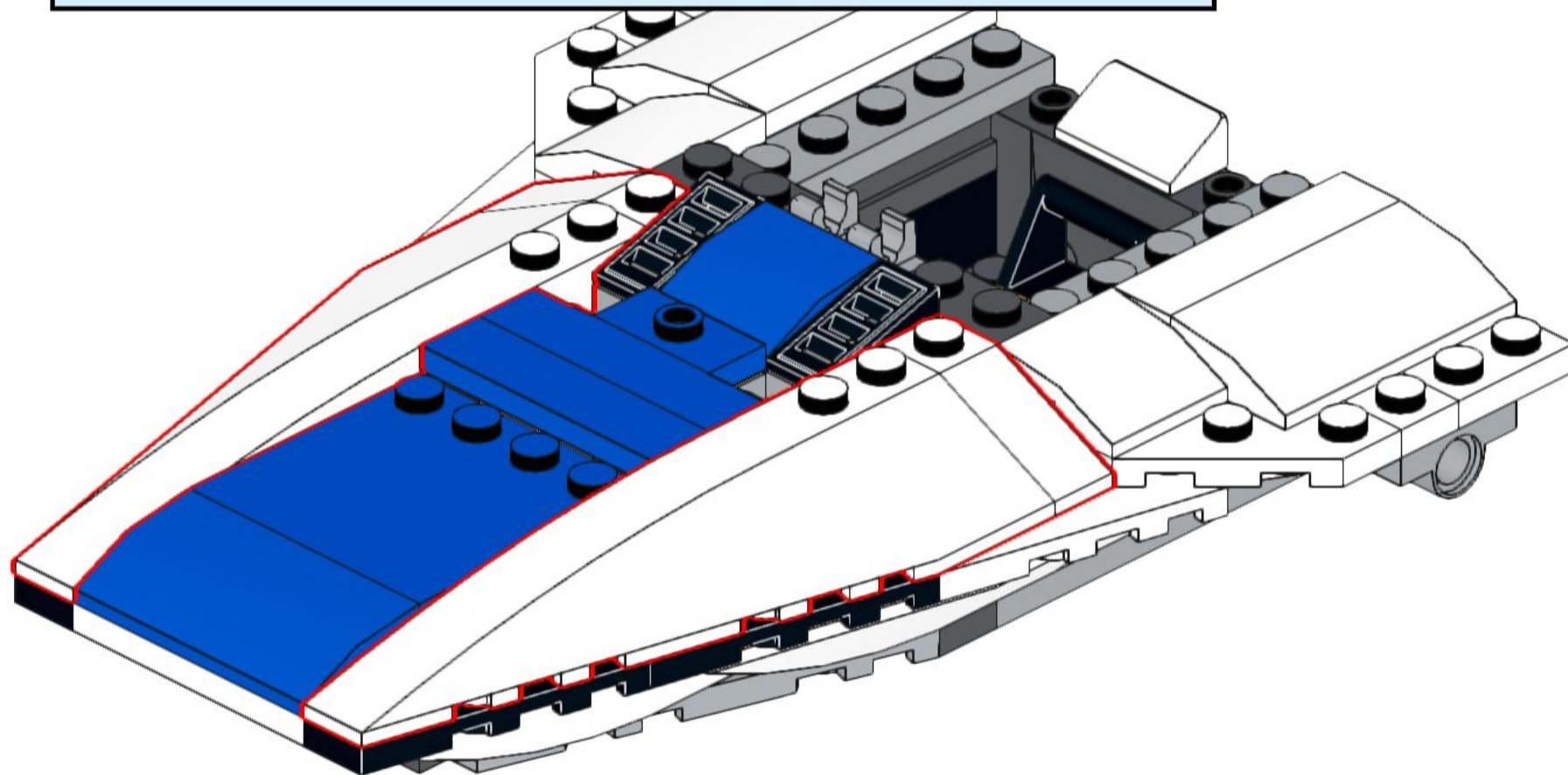
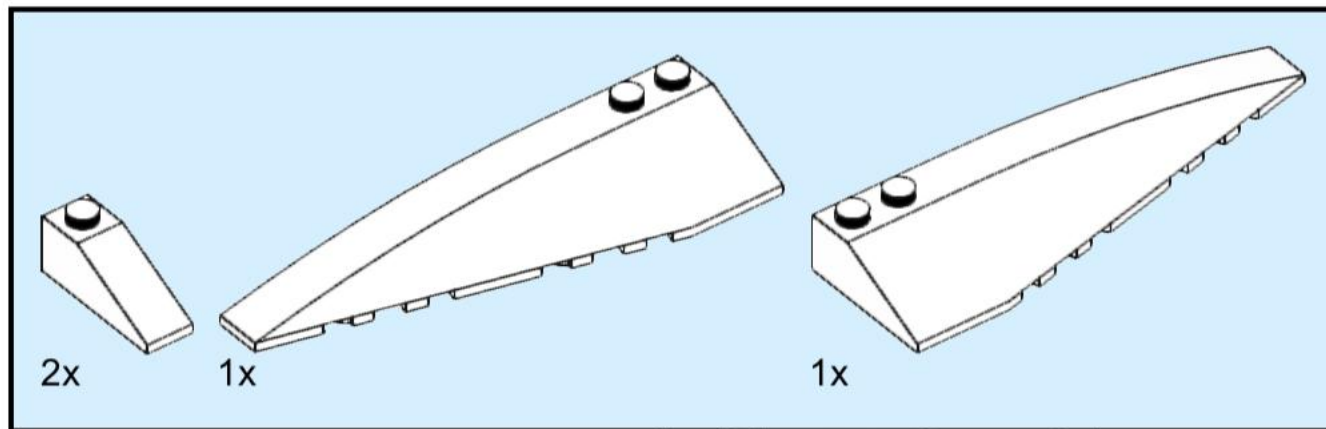
23



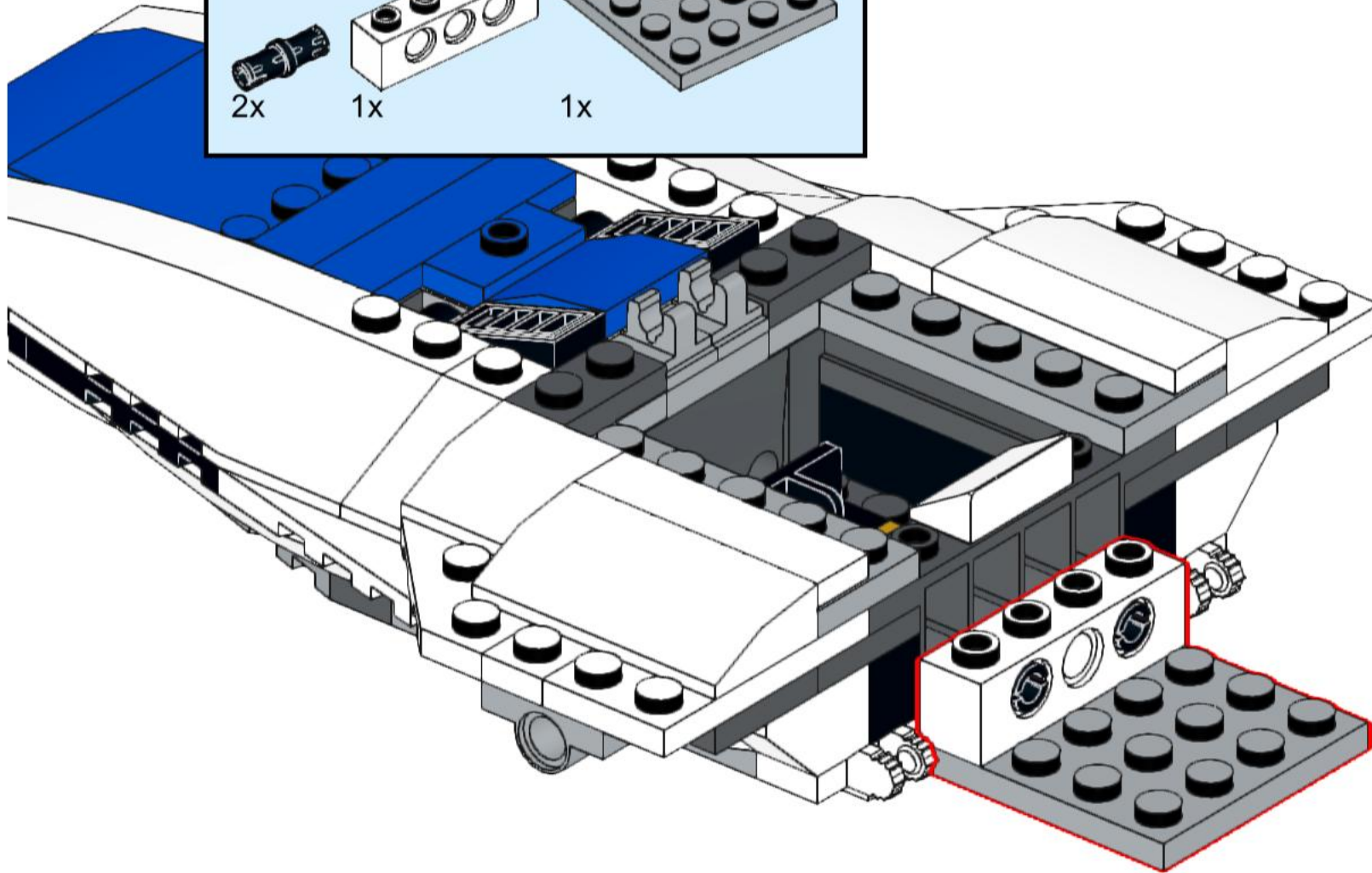
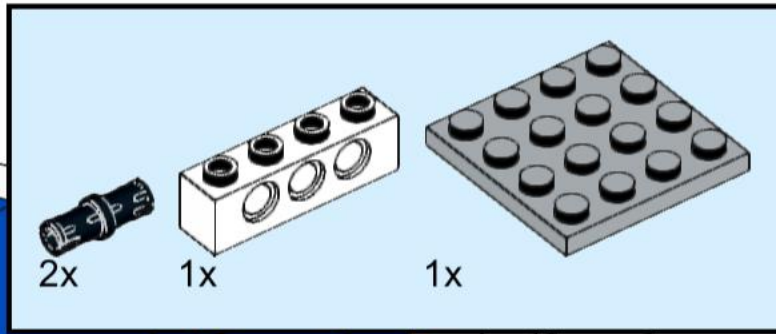
24



25



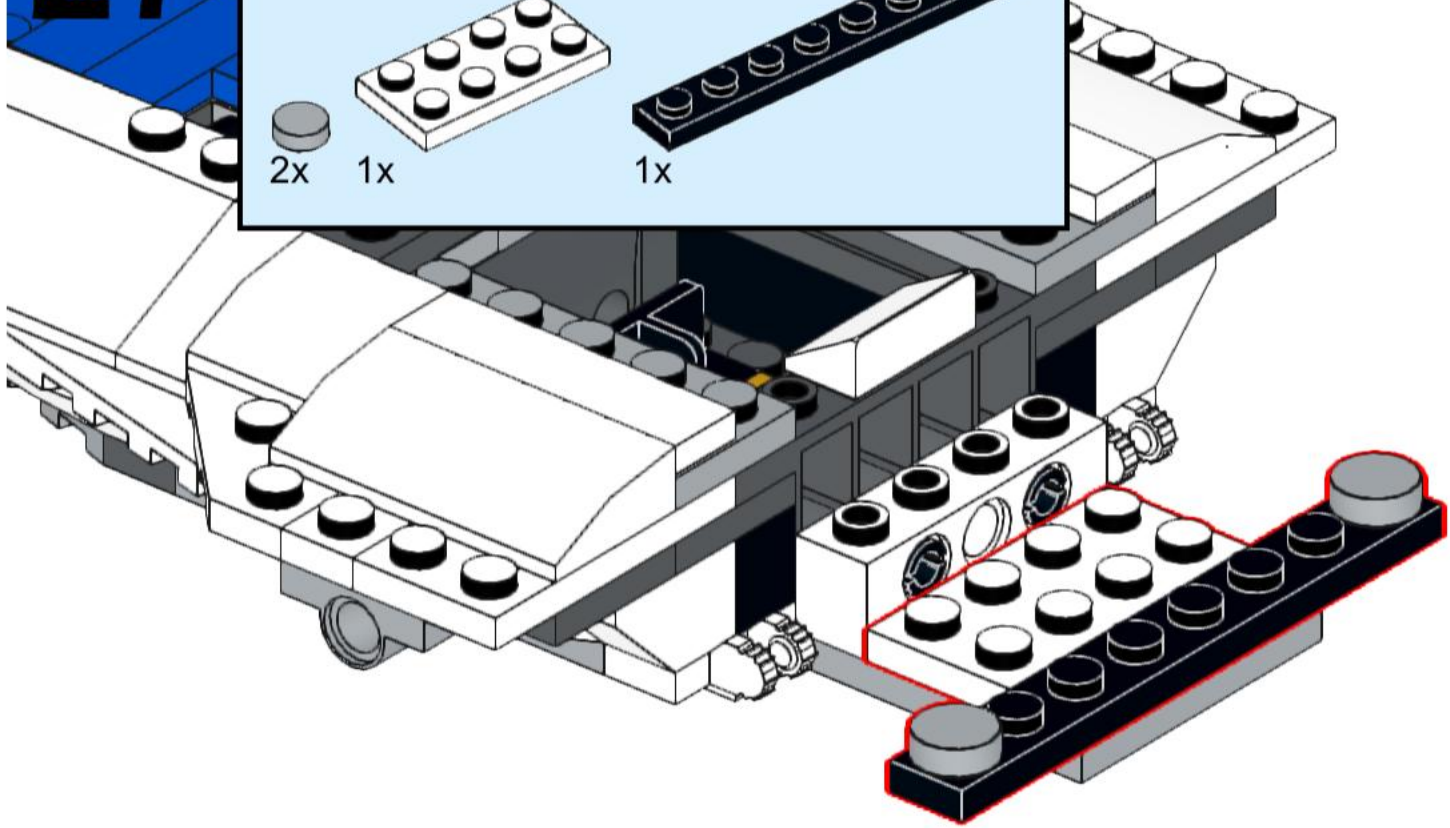
26



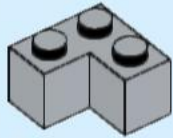
27

2x
1x
1x

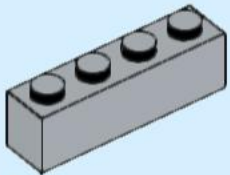
This inset box shows the parts list for step 27. It includes a grey Technic pin (labeled '2x'), a white 1x5 Technic brick with holes (labeled '1x'), and a black 1x10 Technic Technonote with holes (labeled '1x').



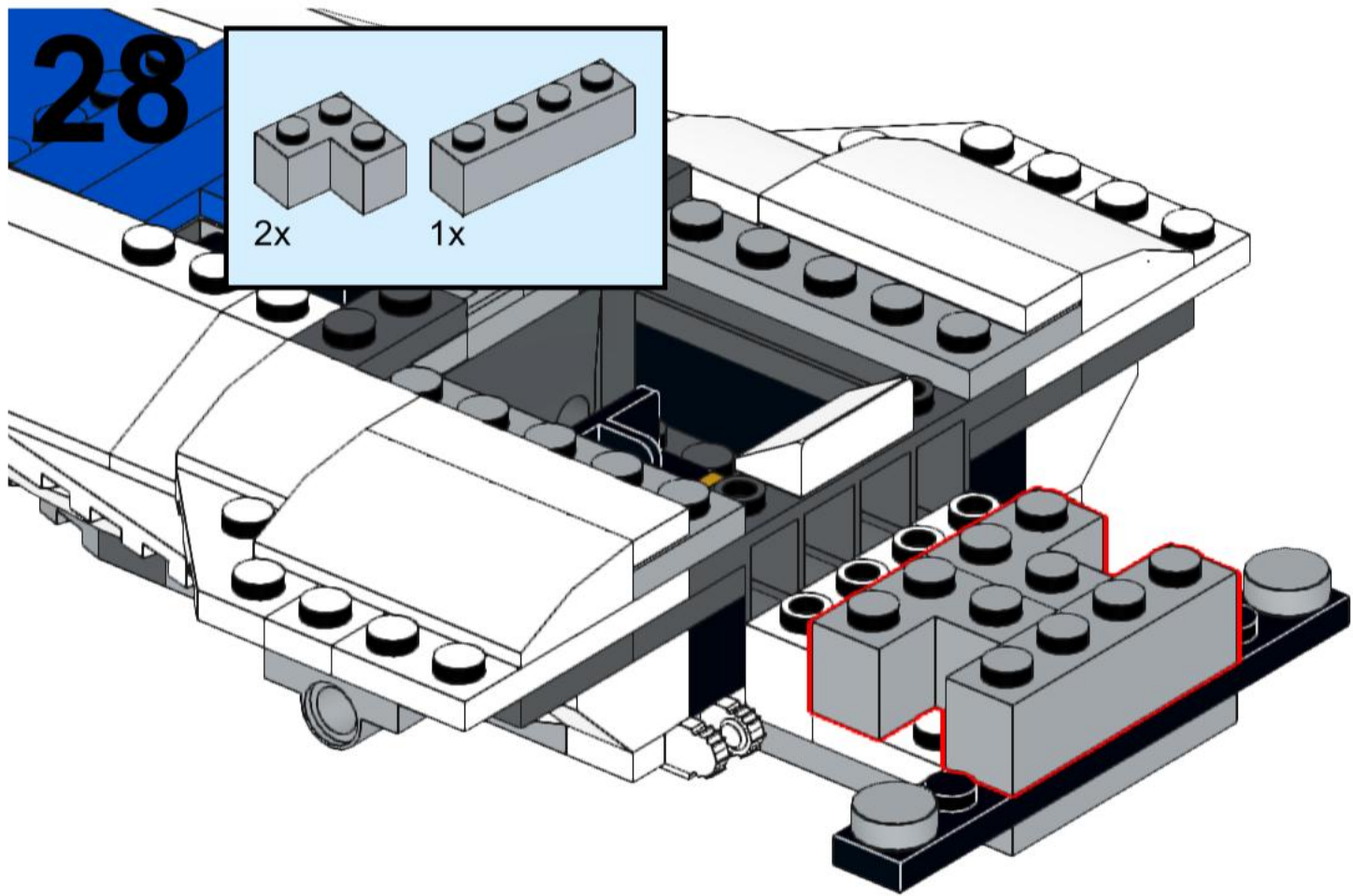
28



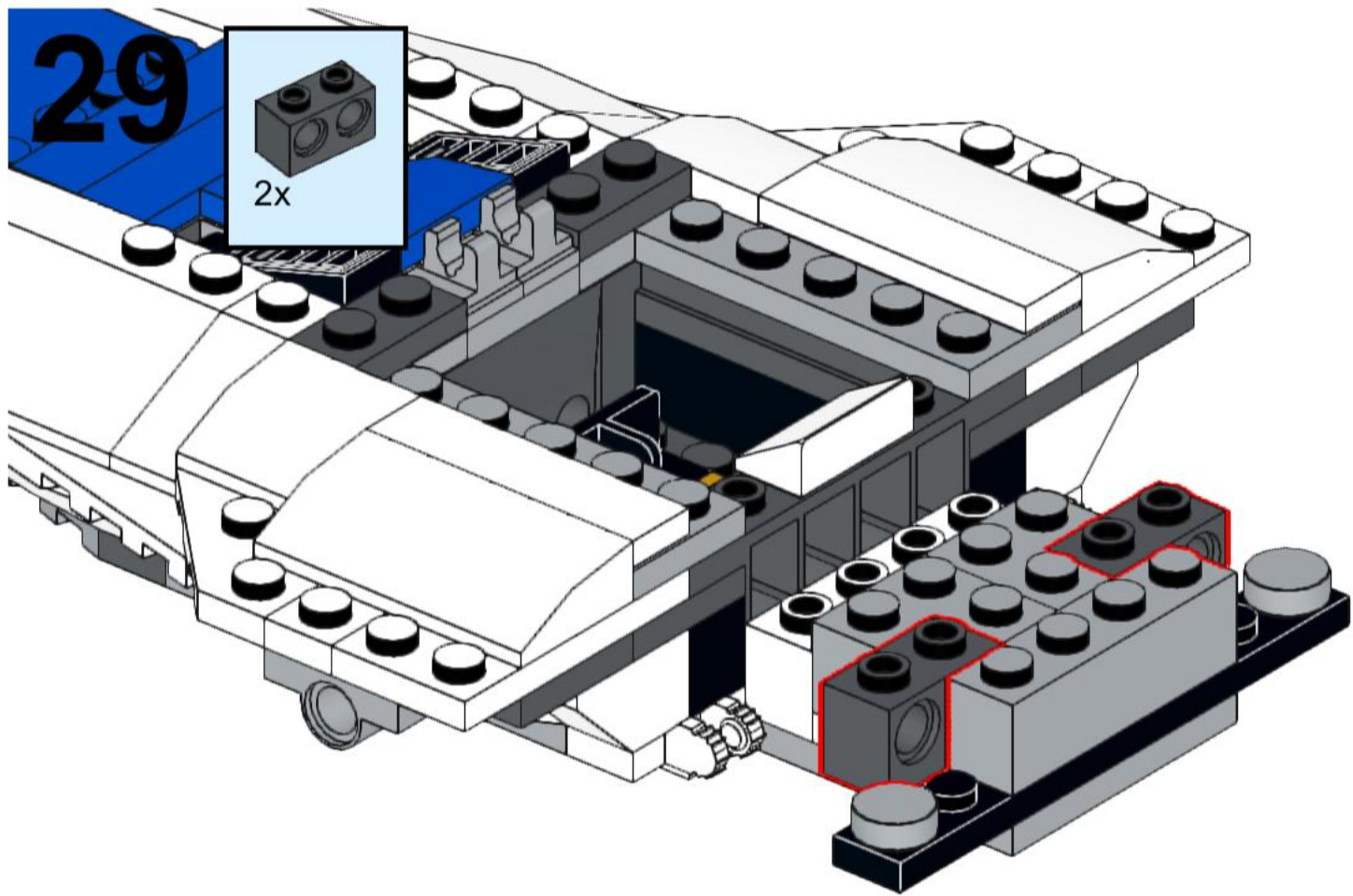
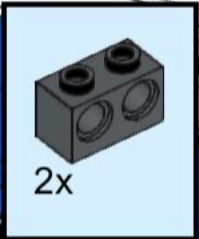
2x



1x



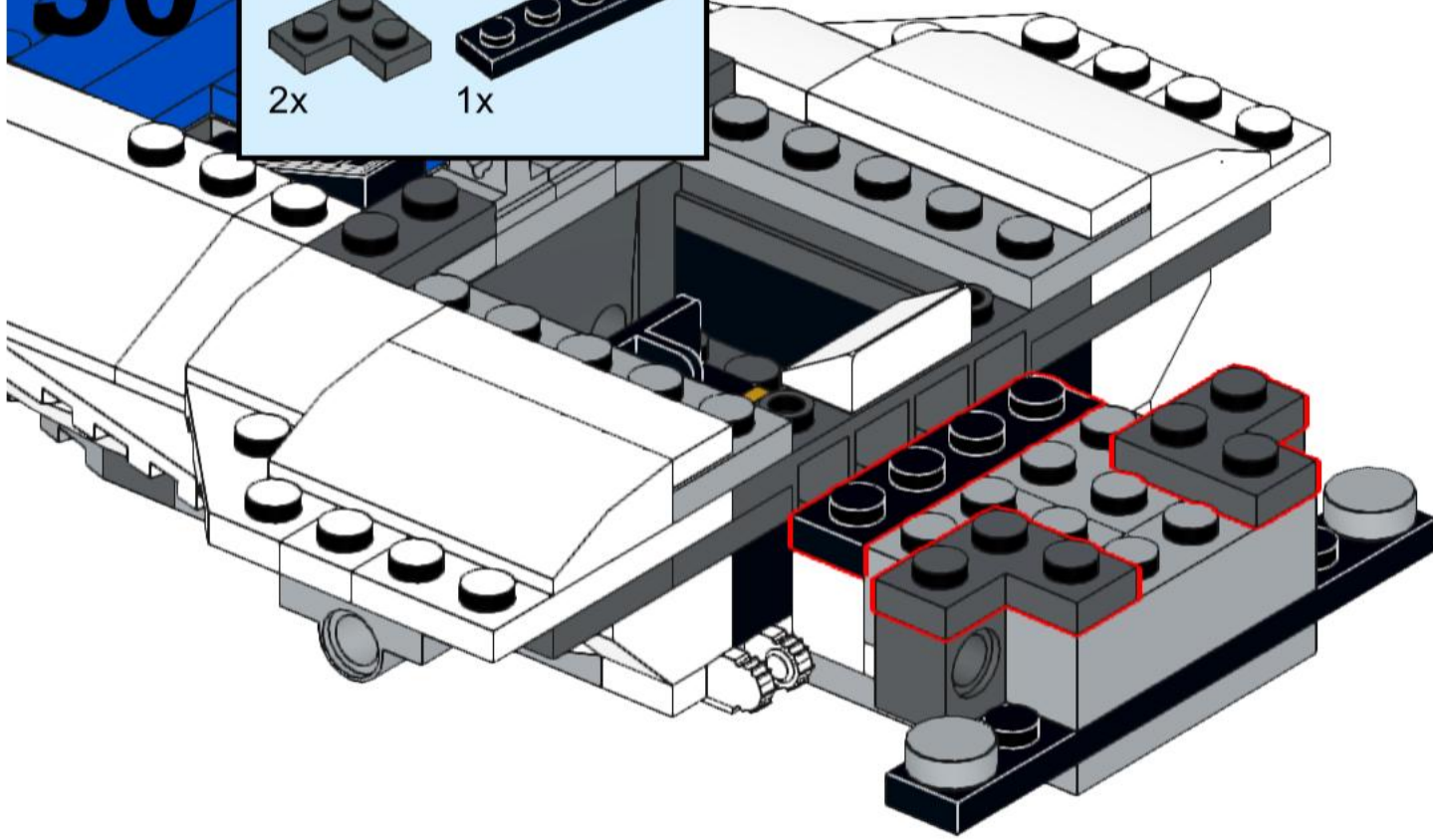
29



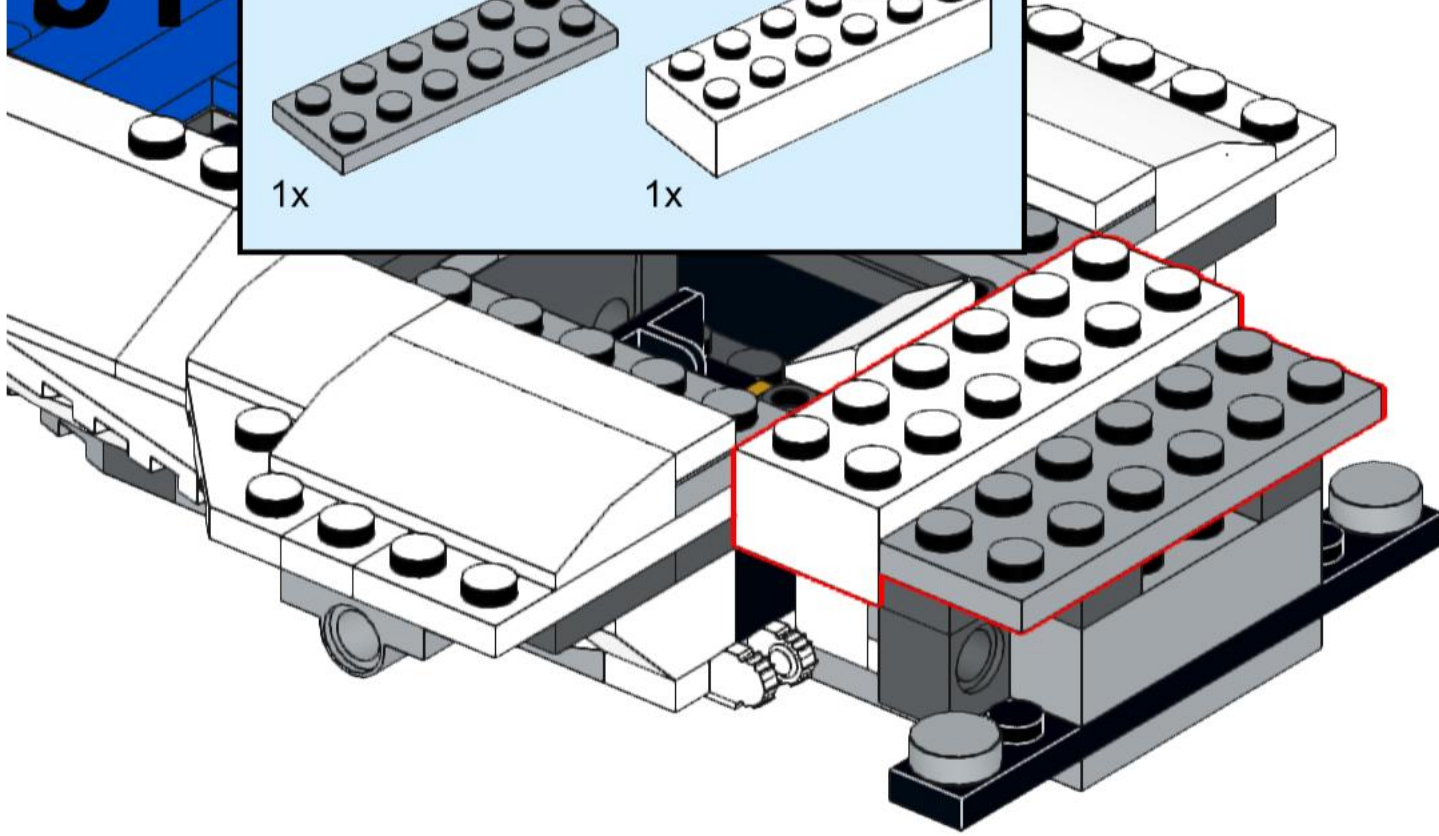
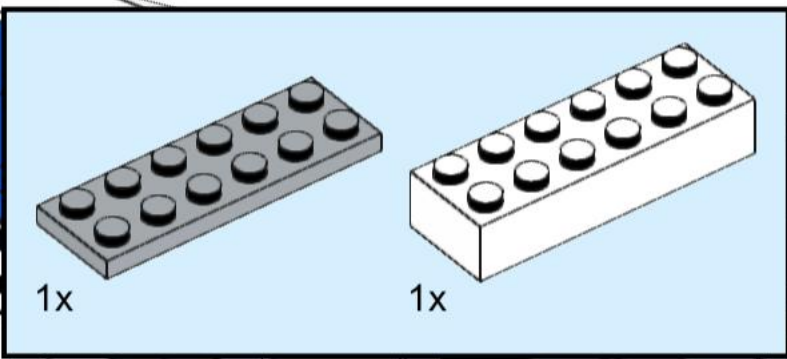
30

2x

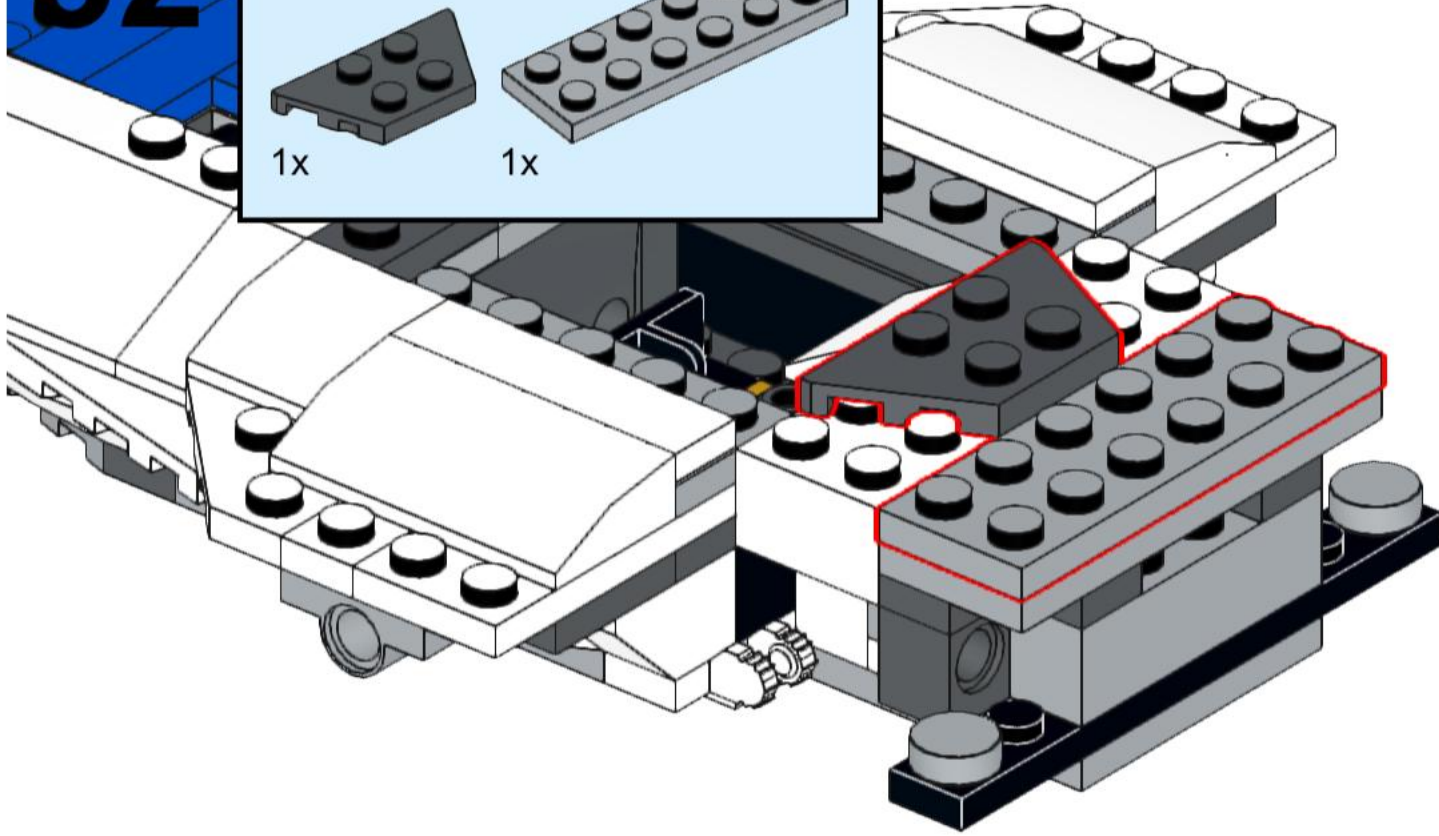
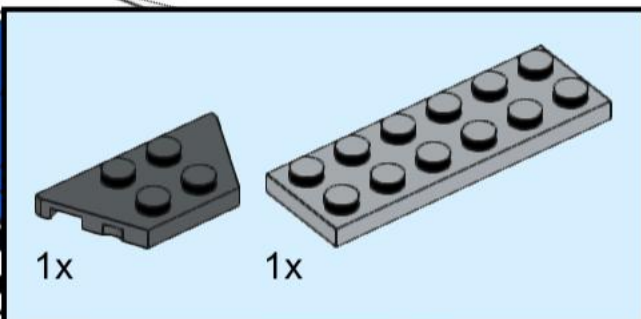
1x






31

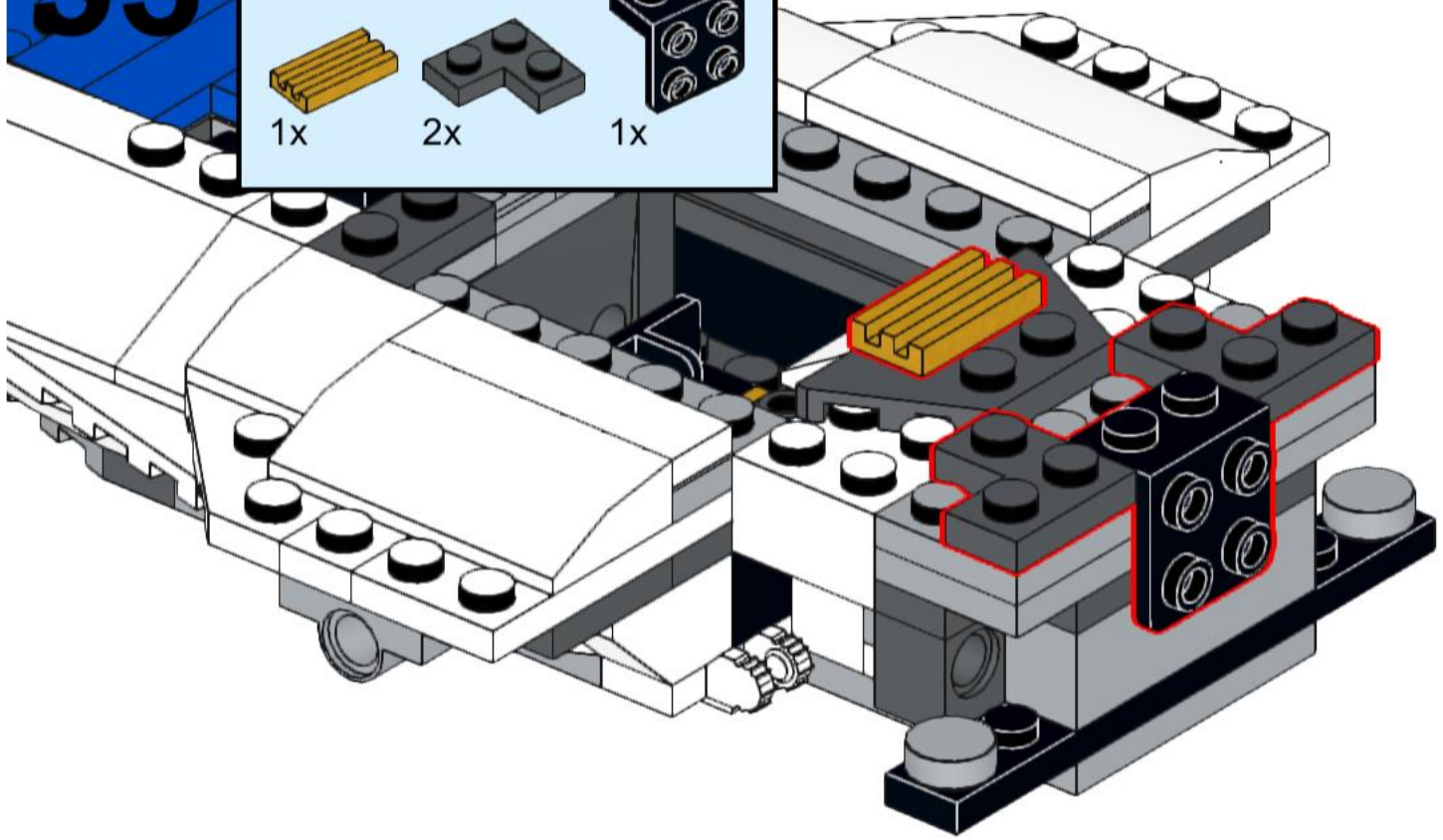


32

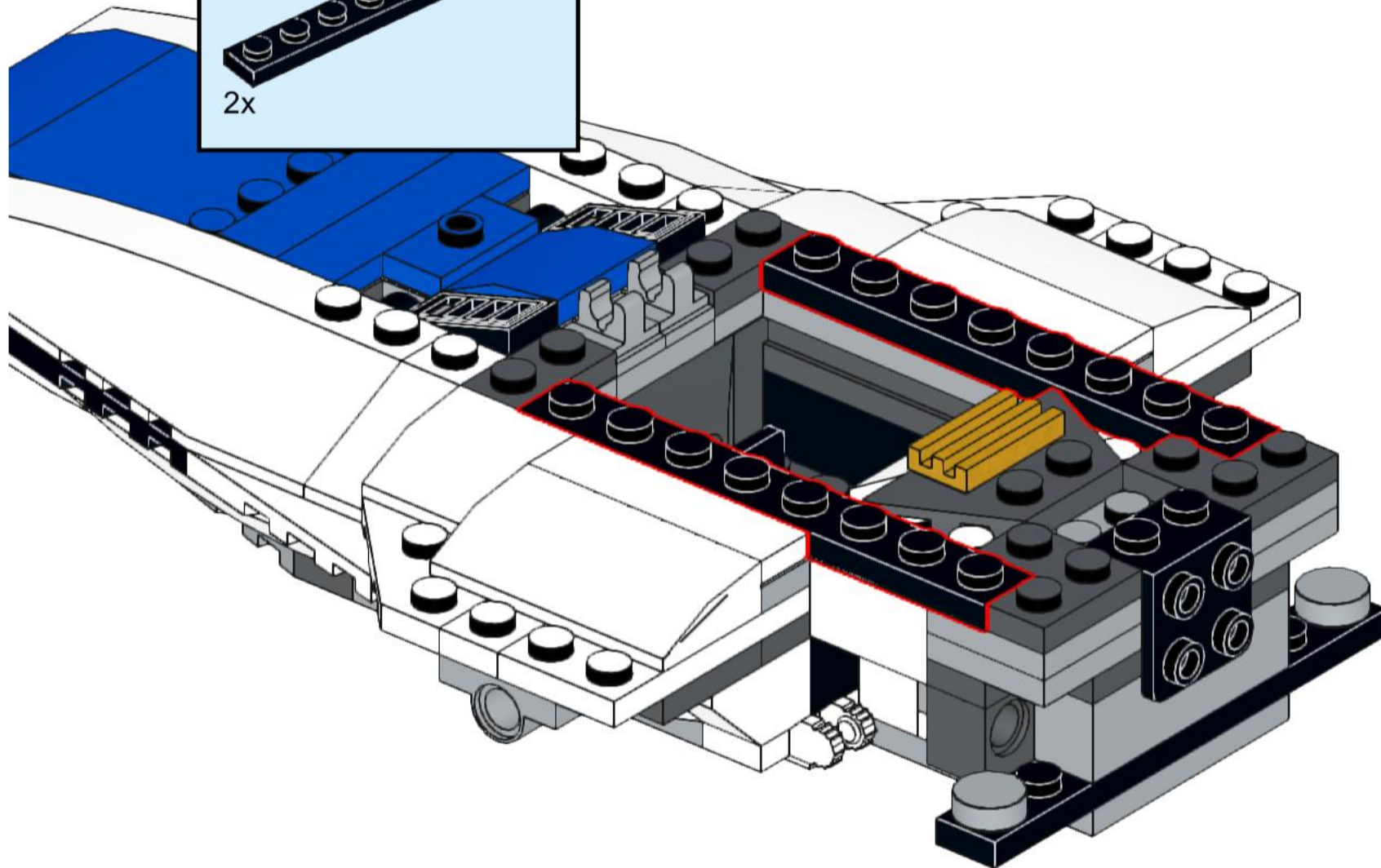
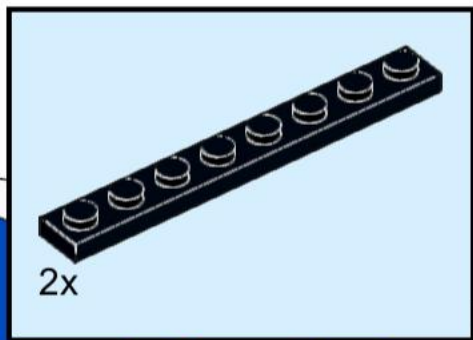


33

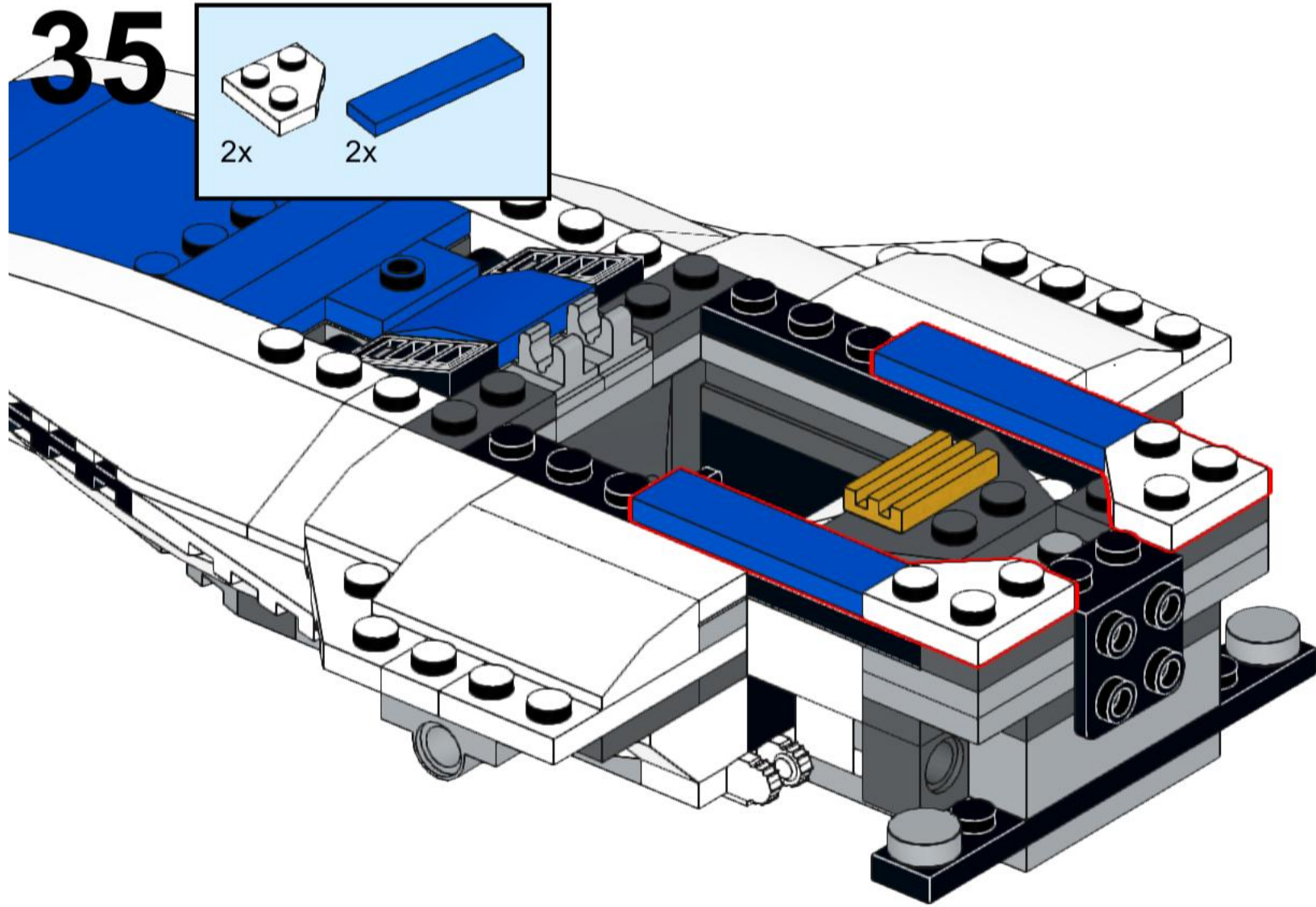
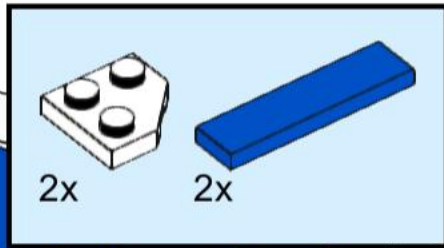
1x  2x  1x 



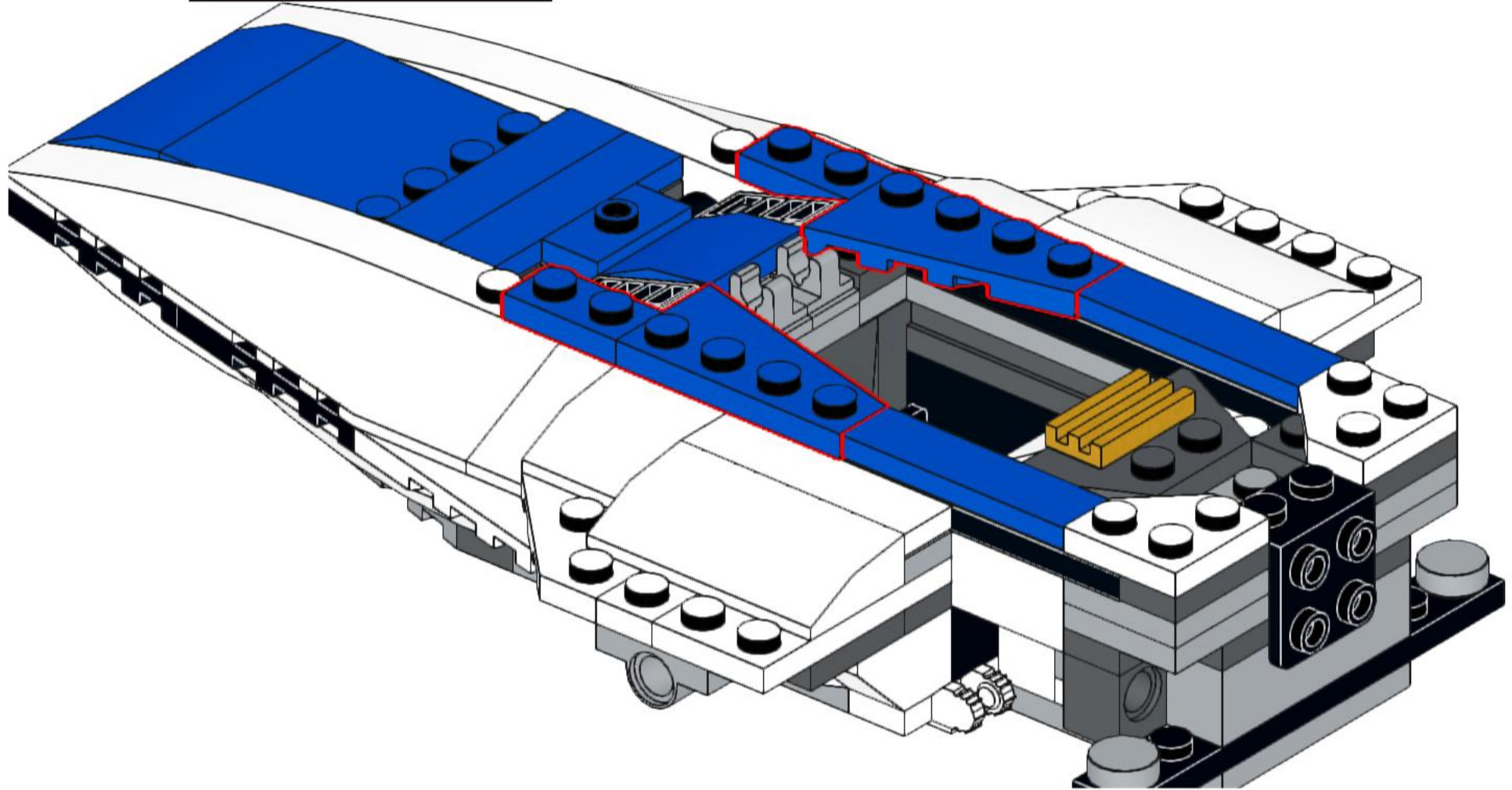
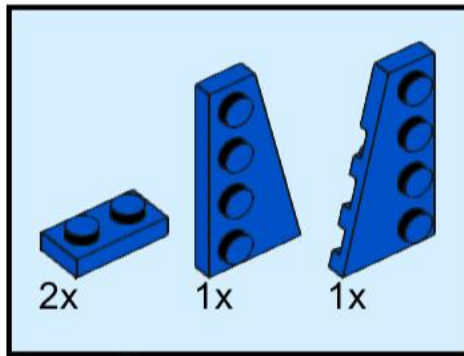
34



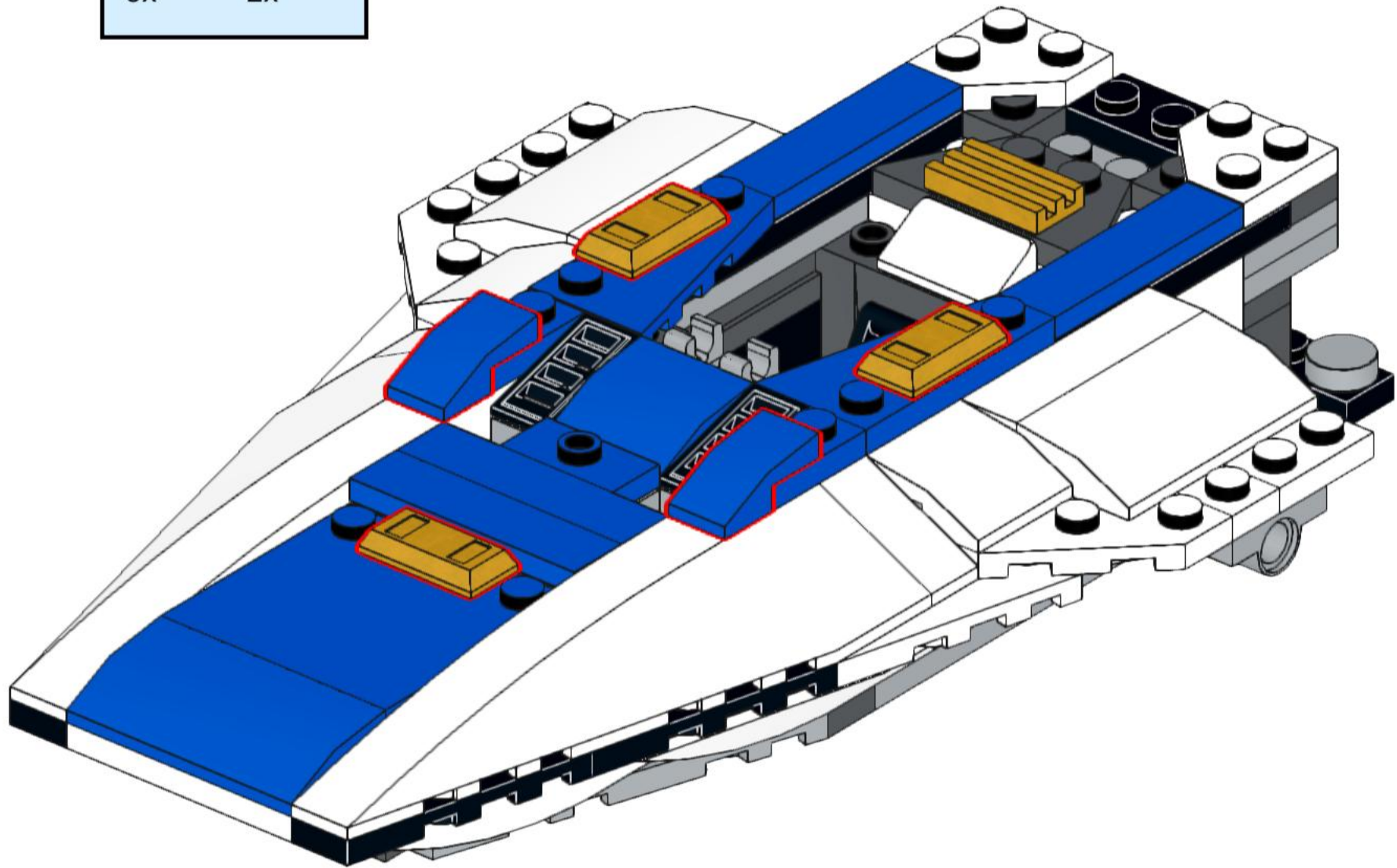
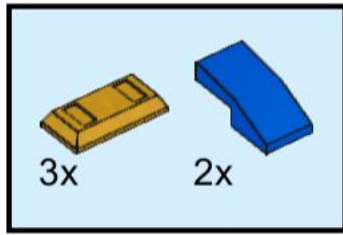
35



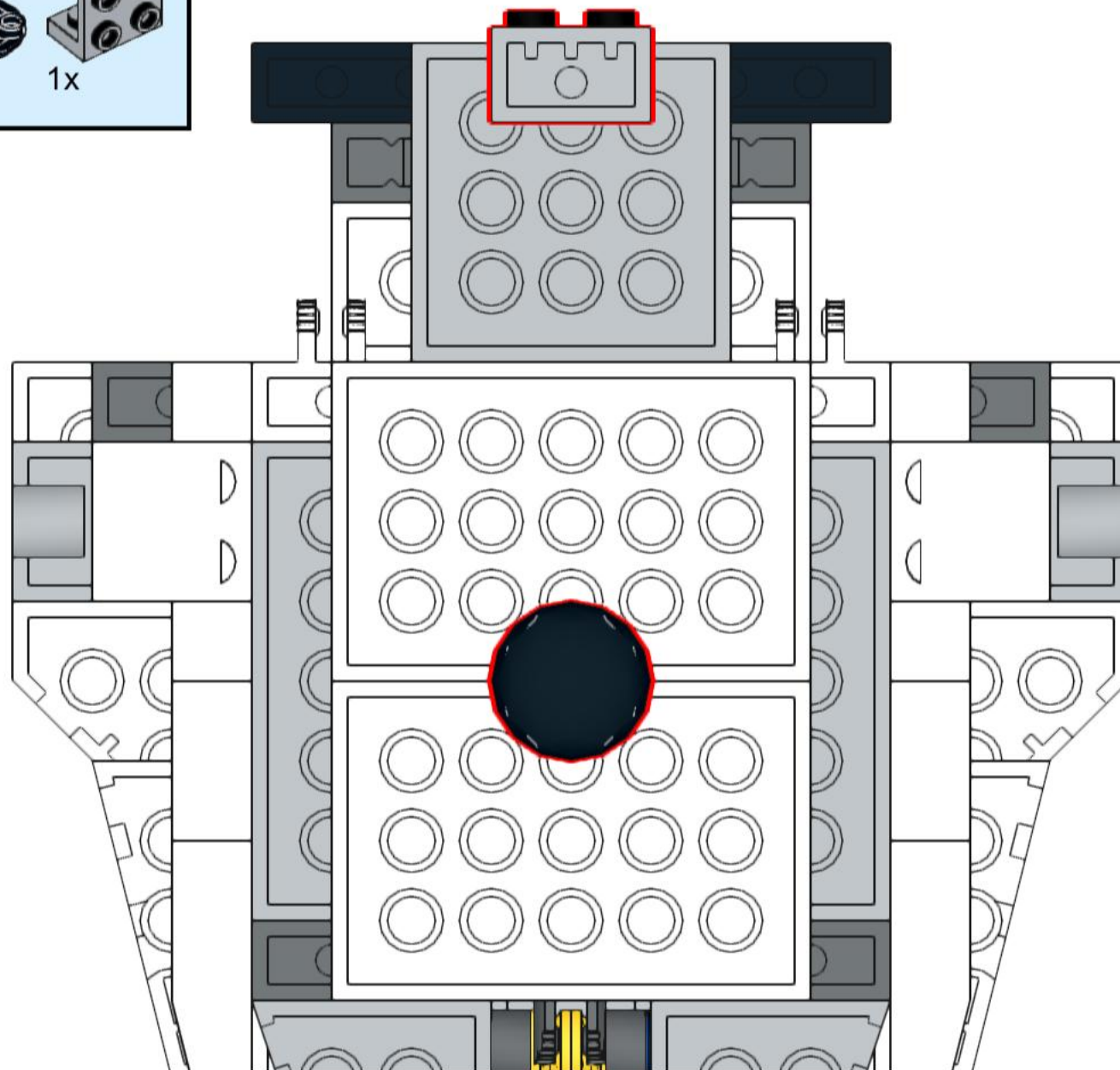
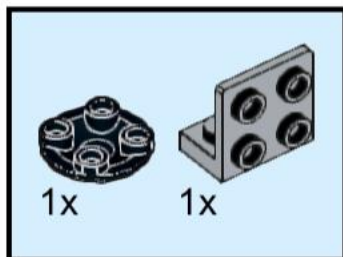
36



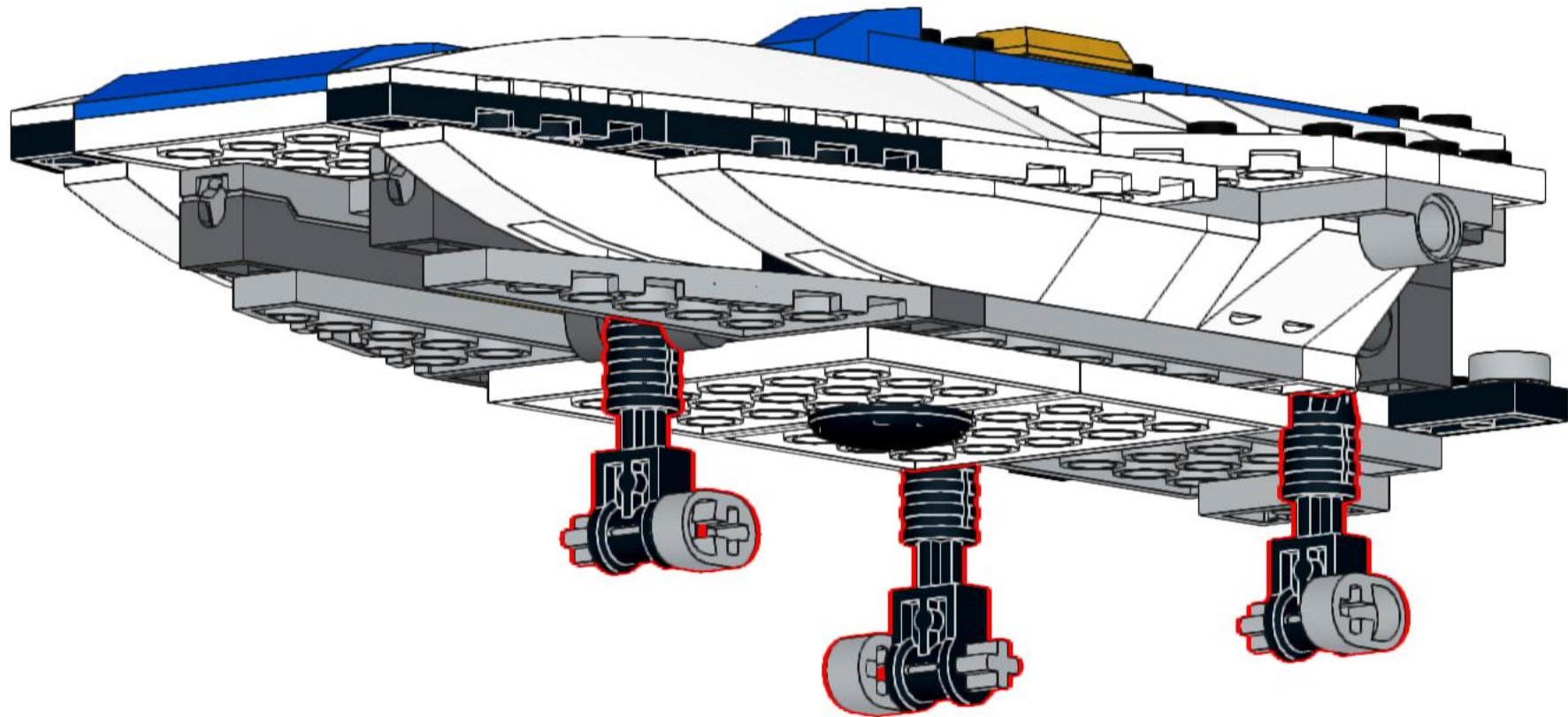
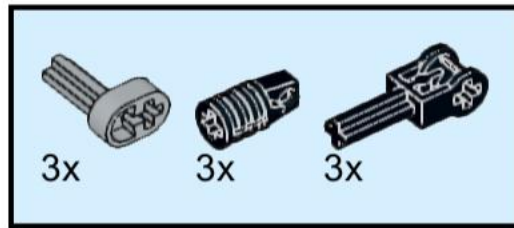
37



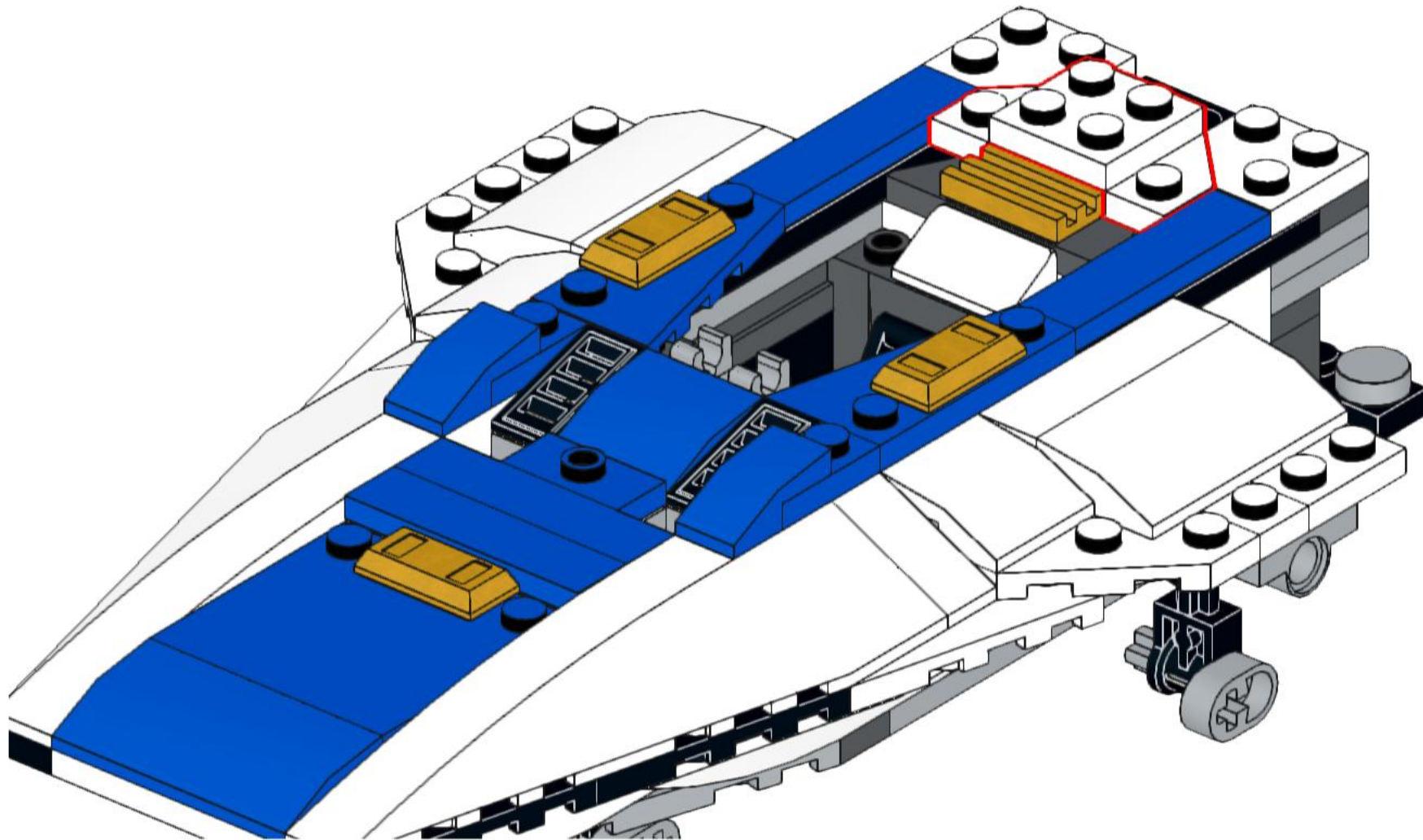
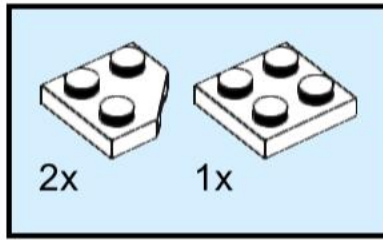
38



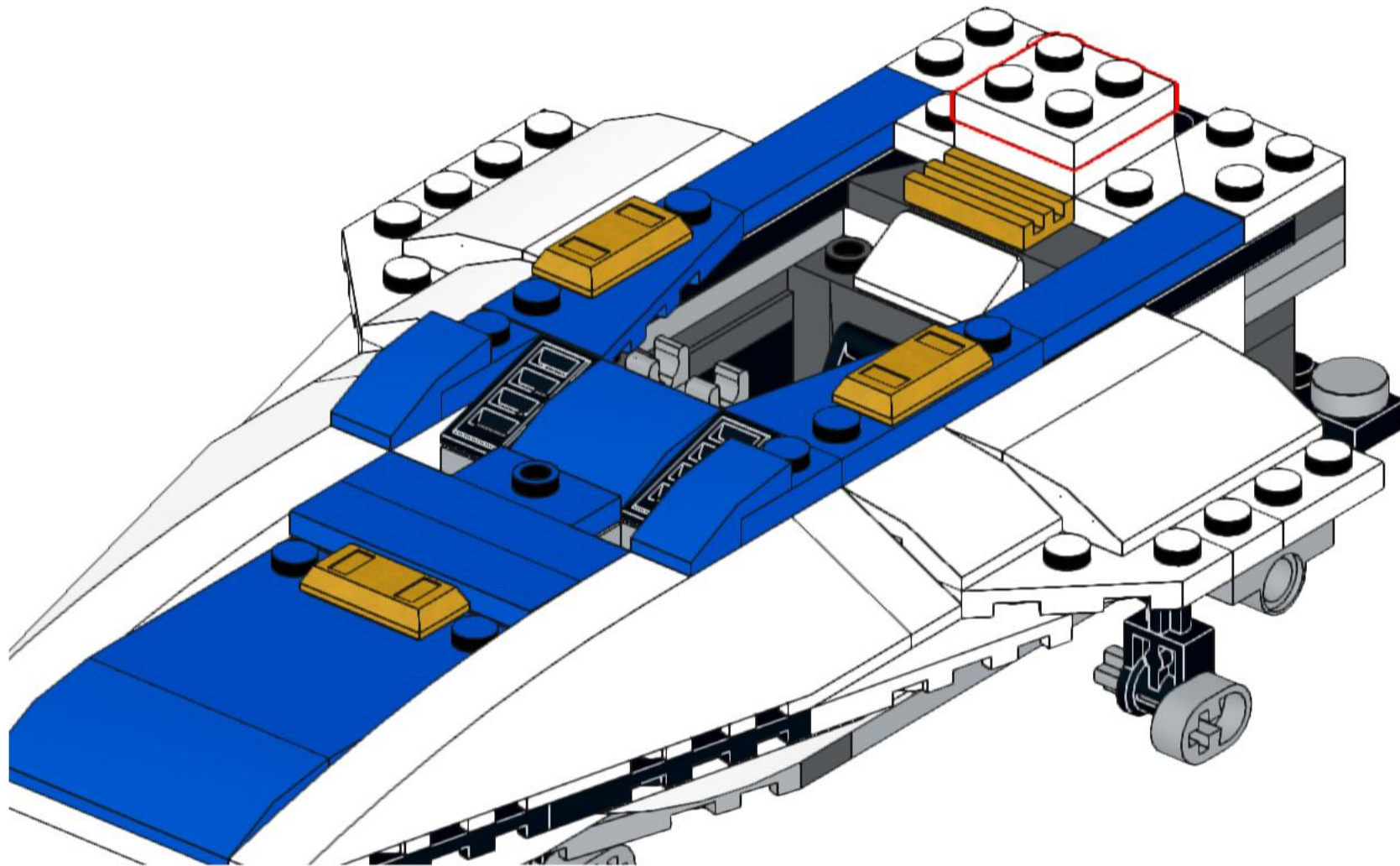
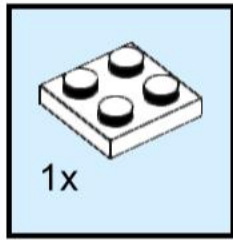
39



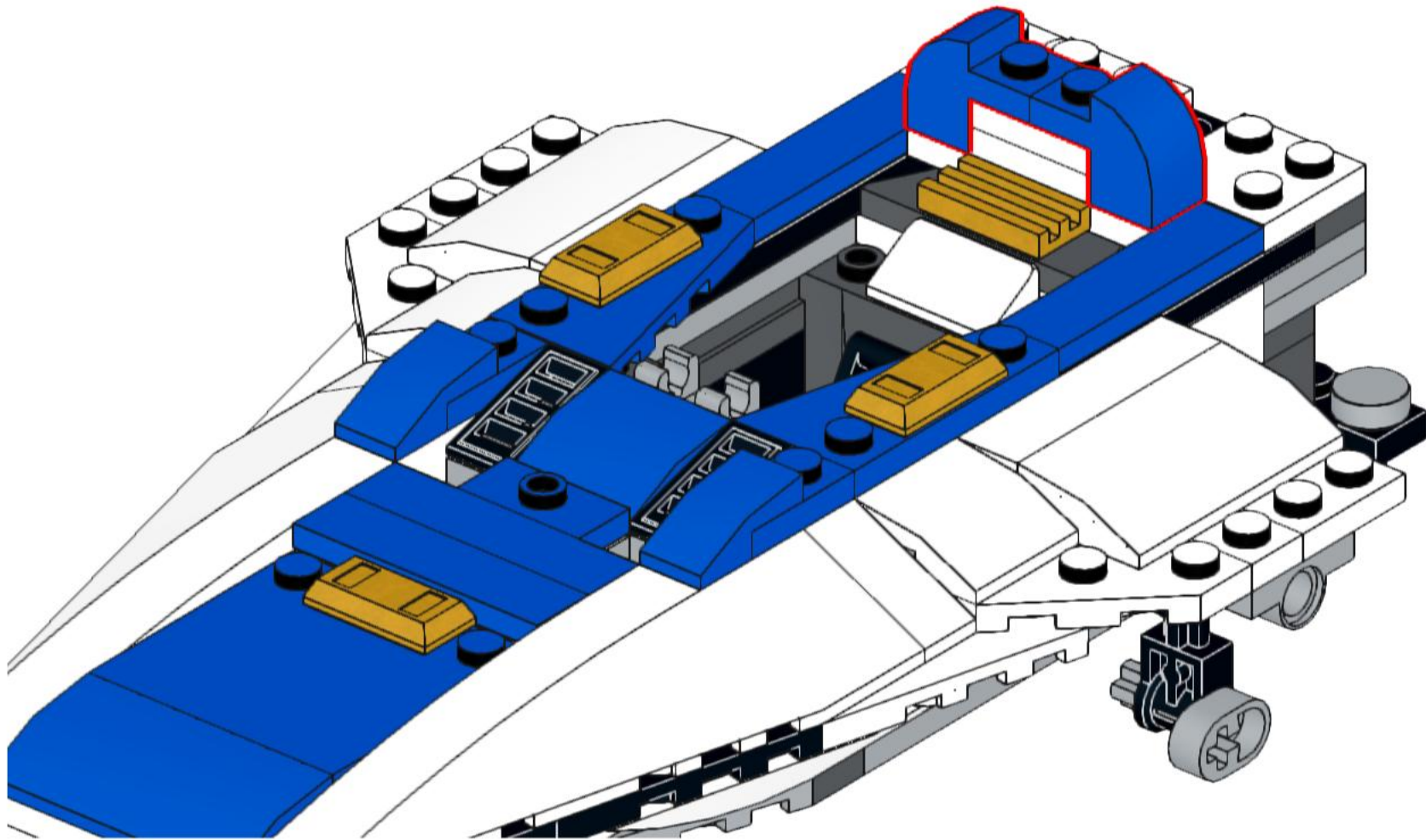
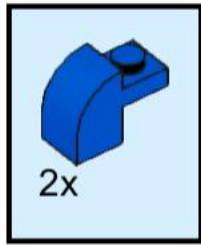
40



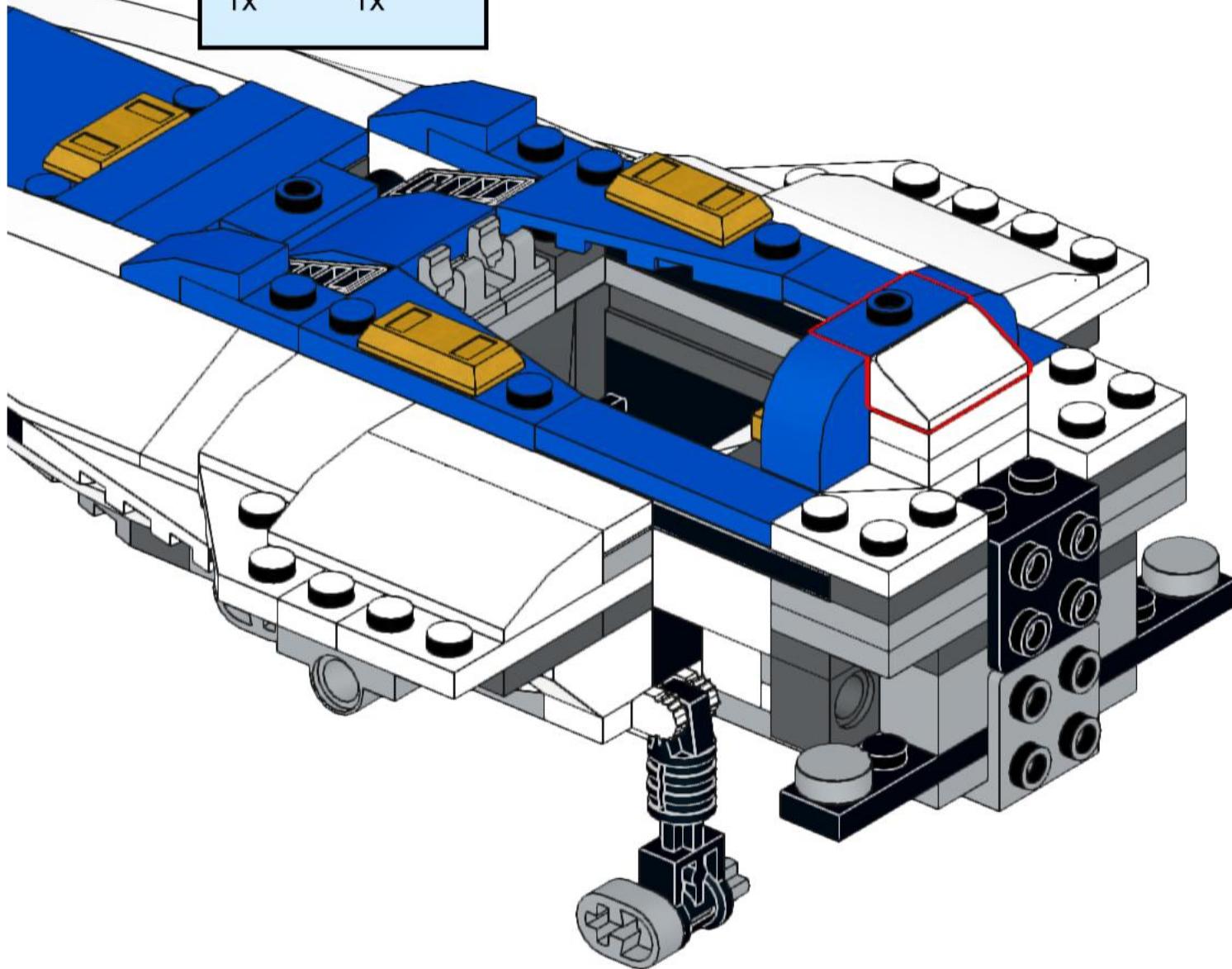
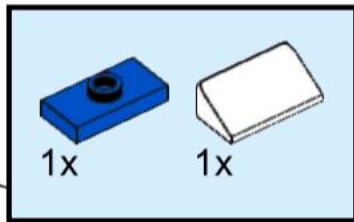
41



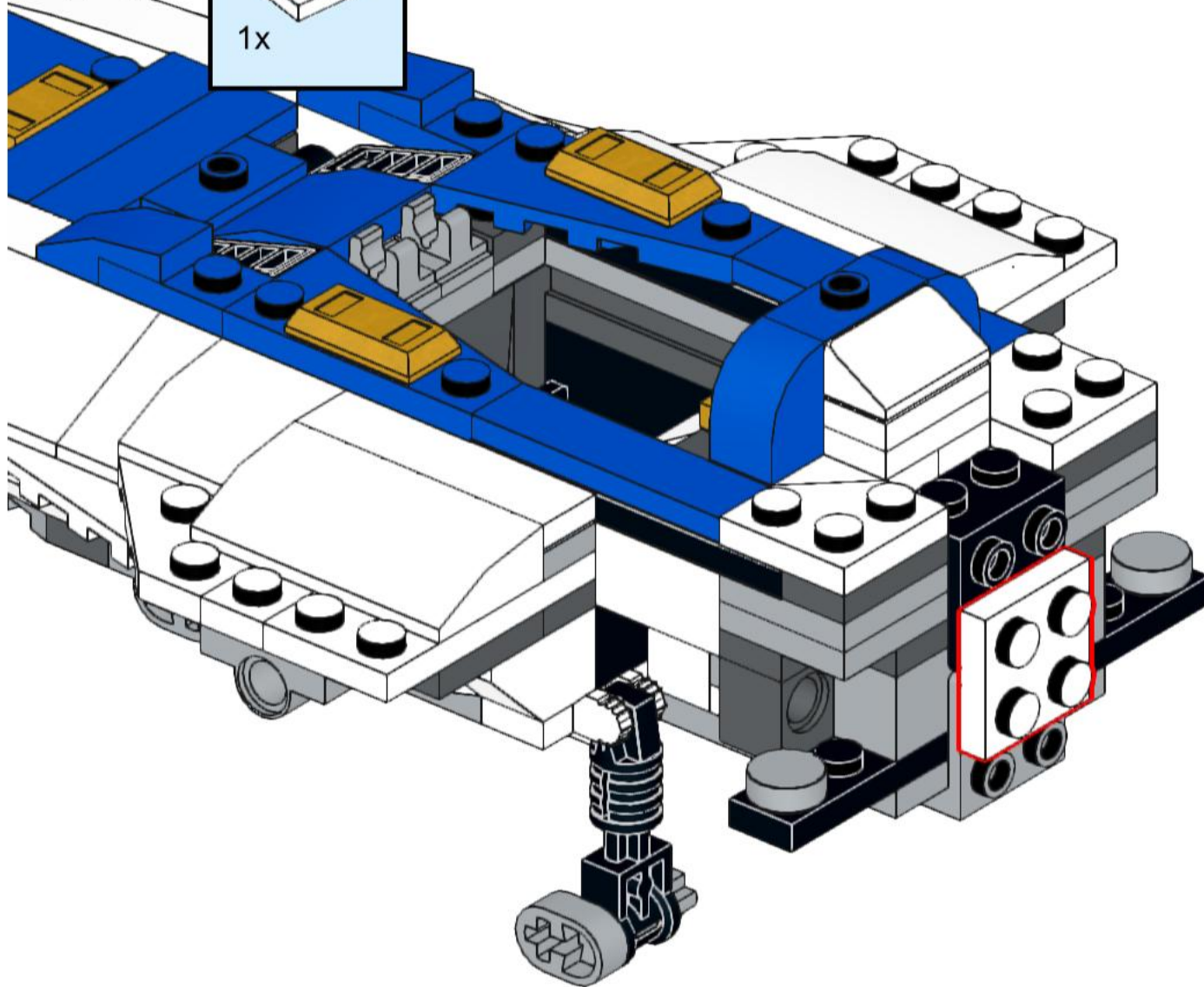
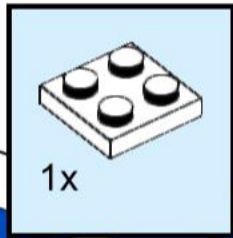
42



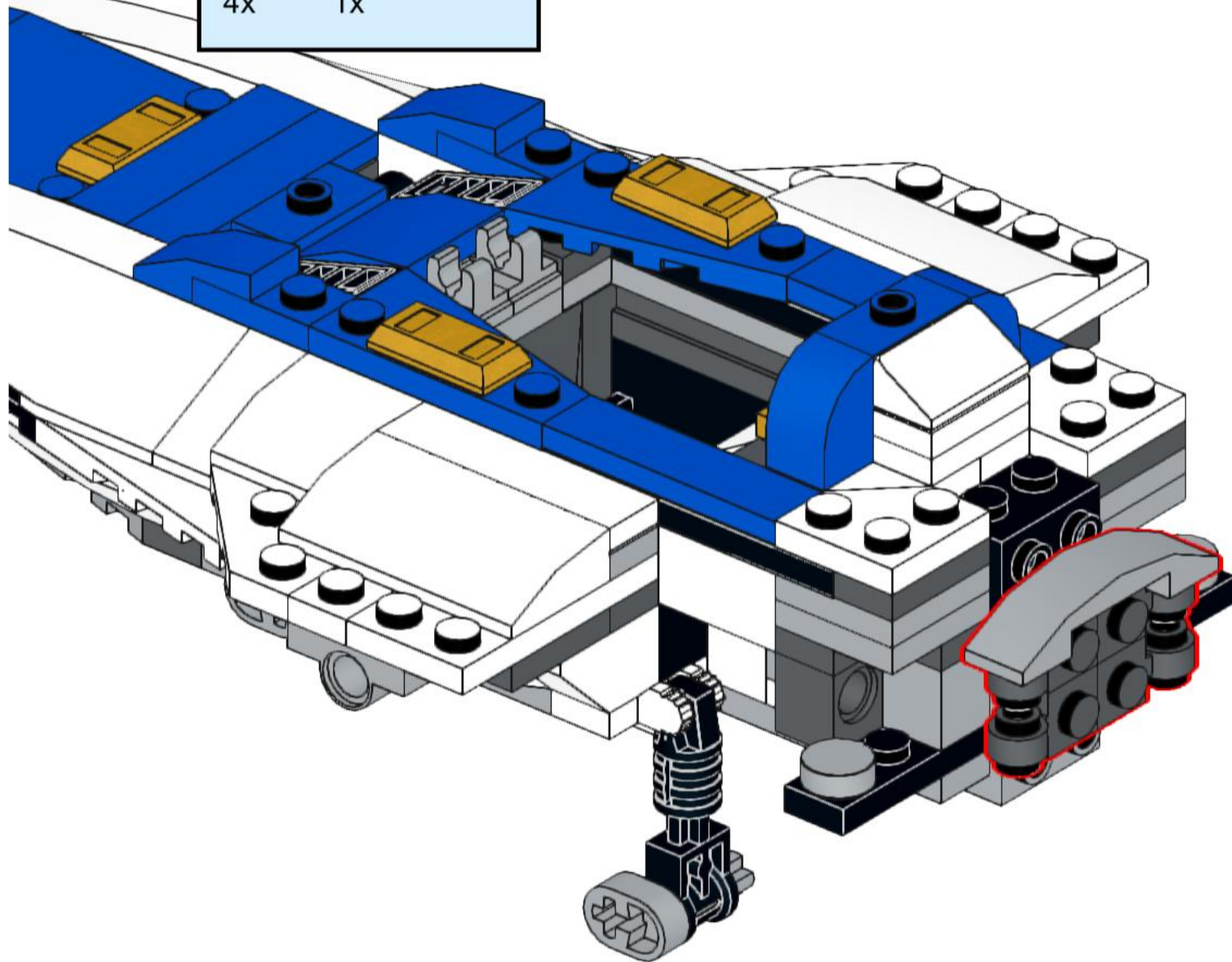
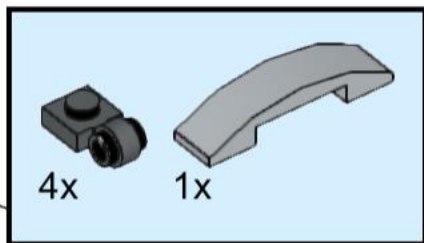
43



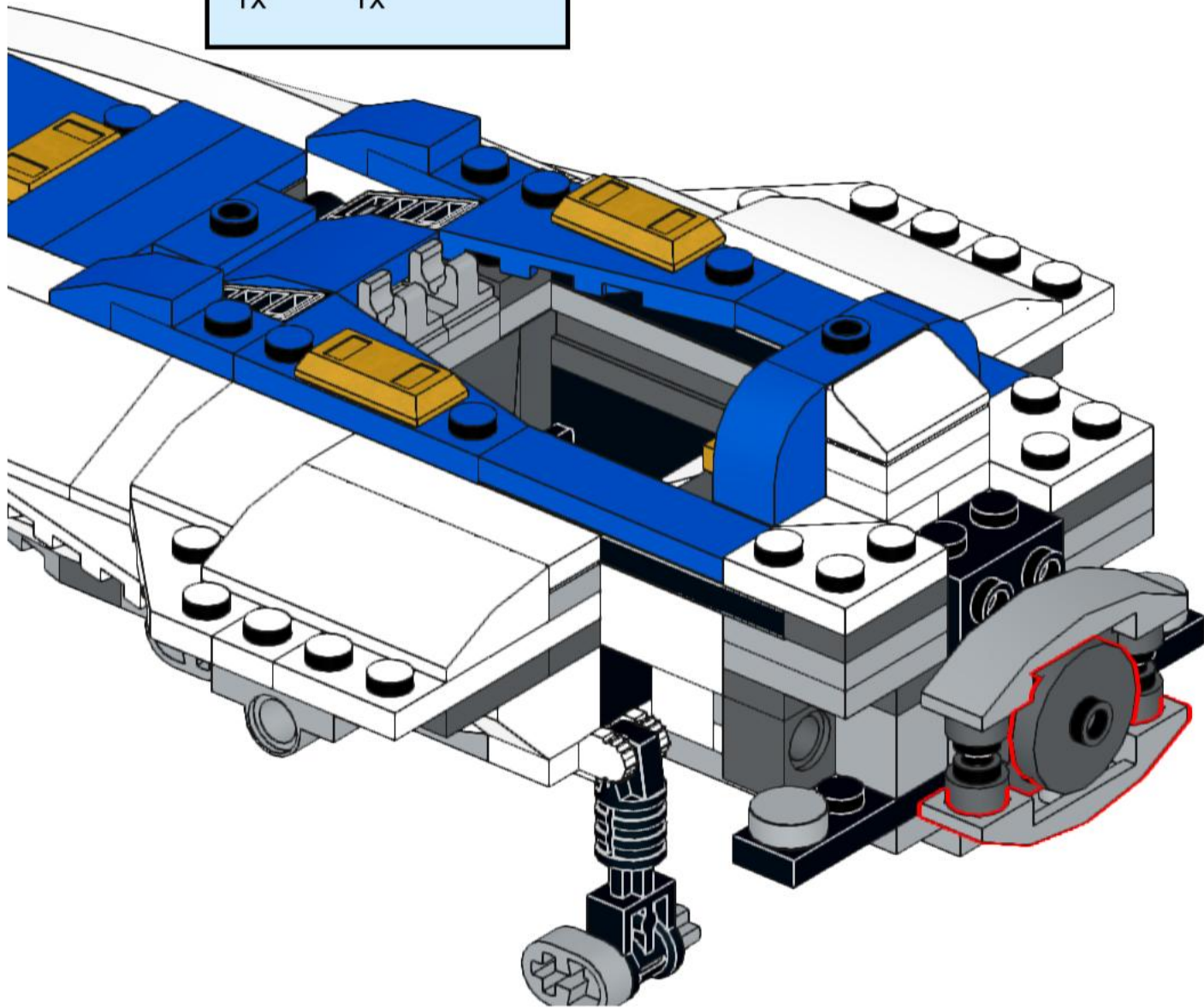
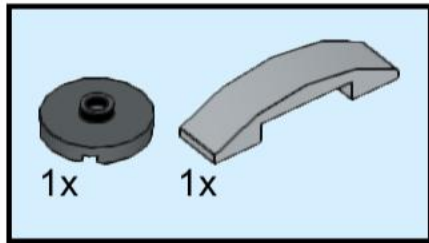
44



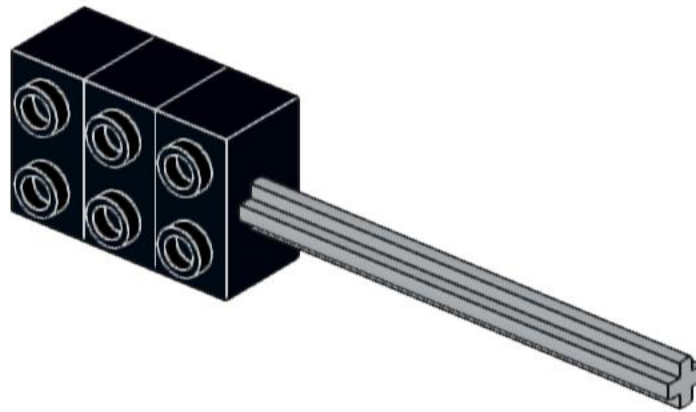
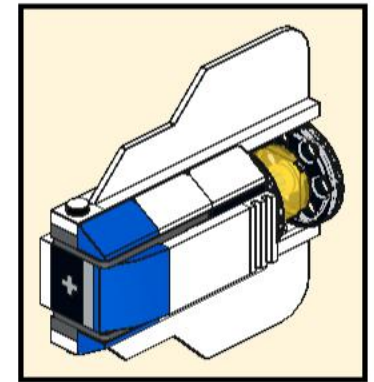
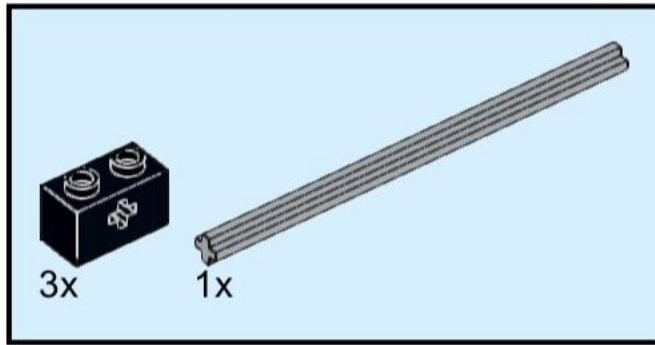
45



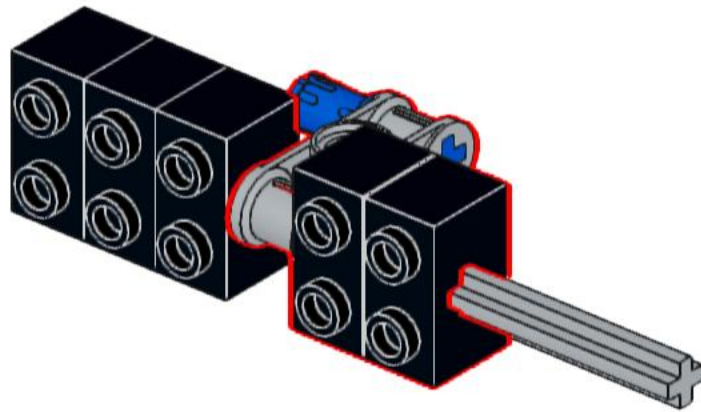
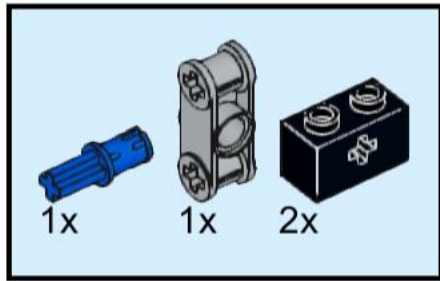
46



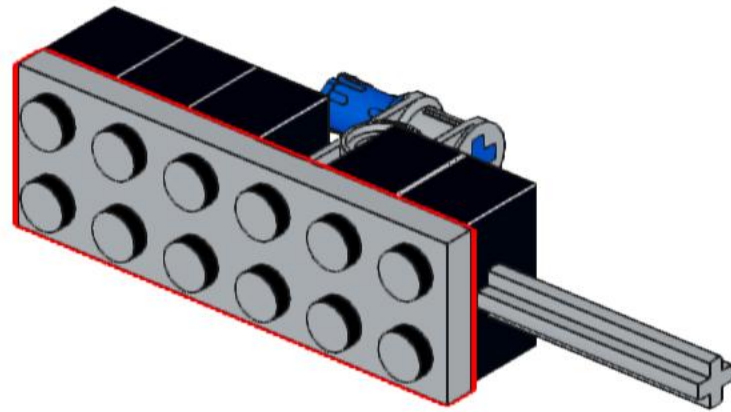
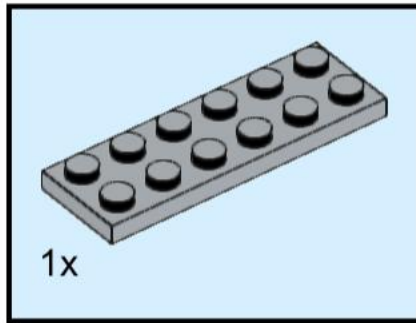
47



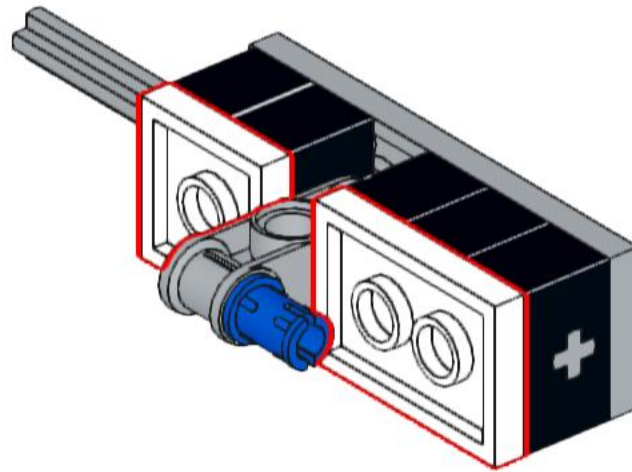
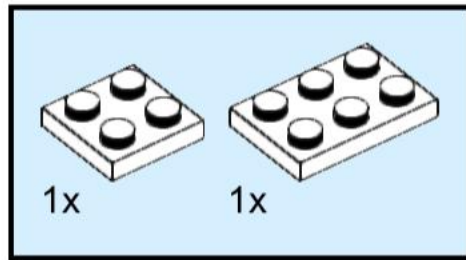
48



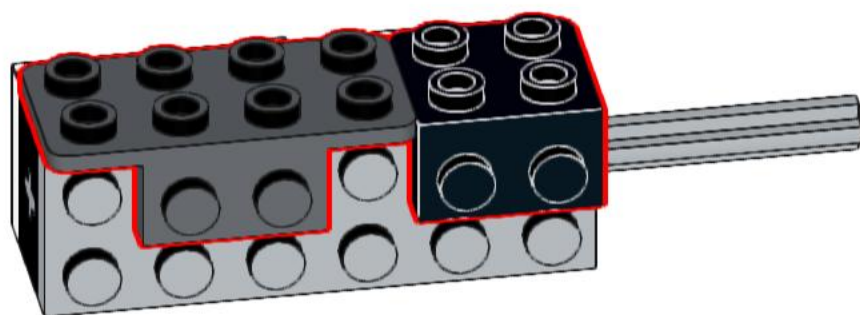
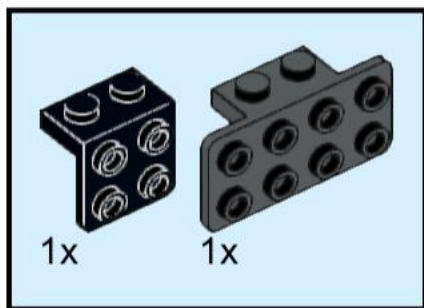
49



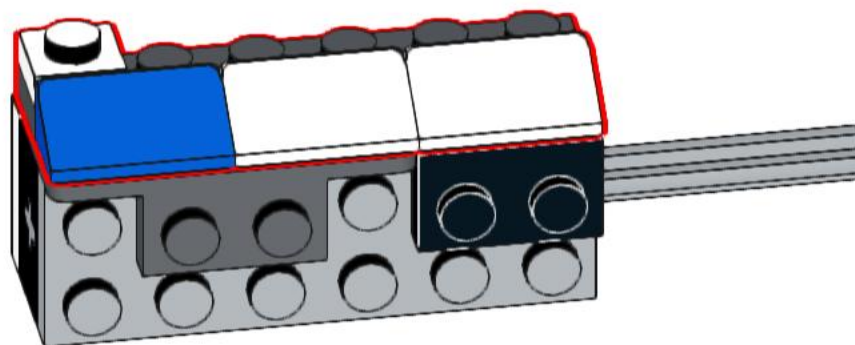
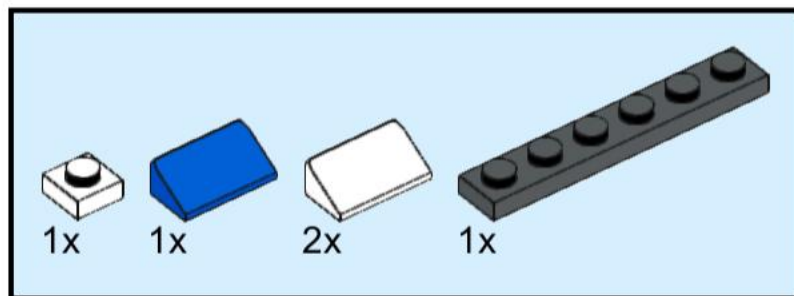
50



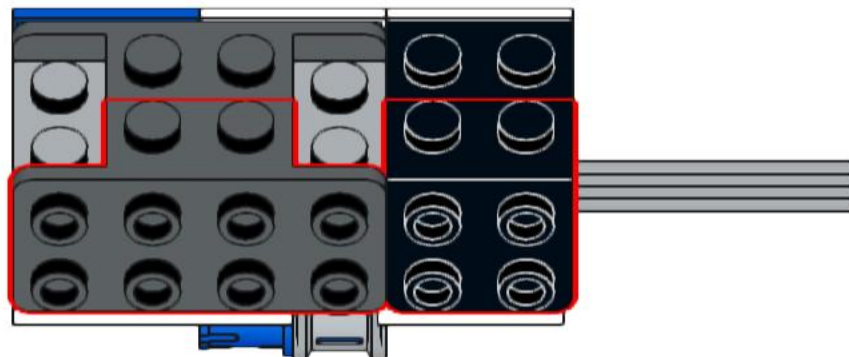
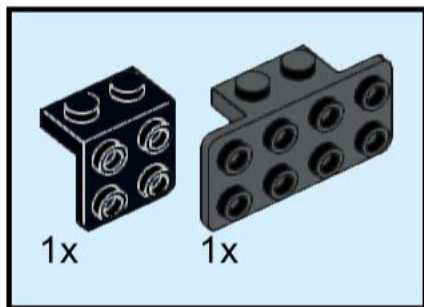
51



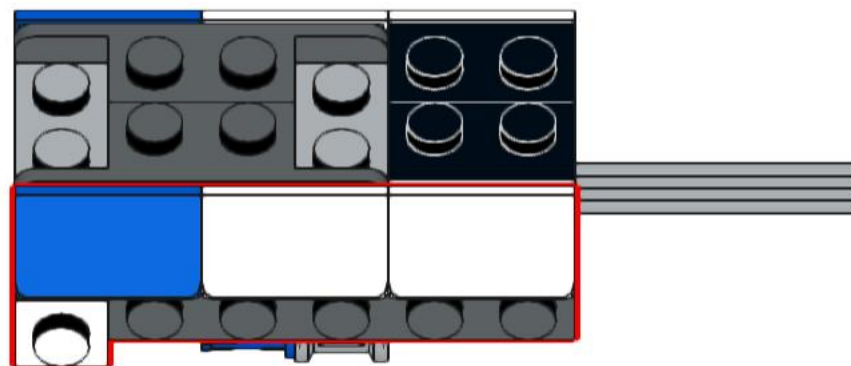
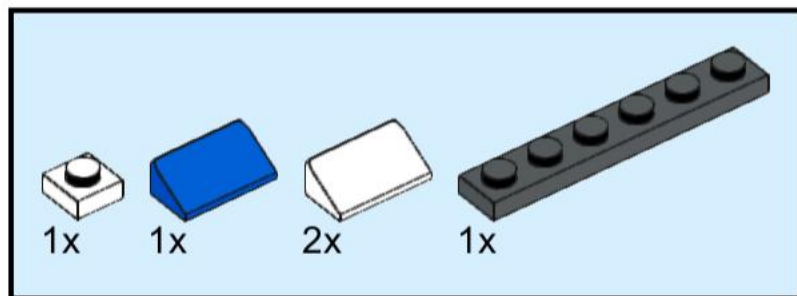
52



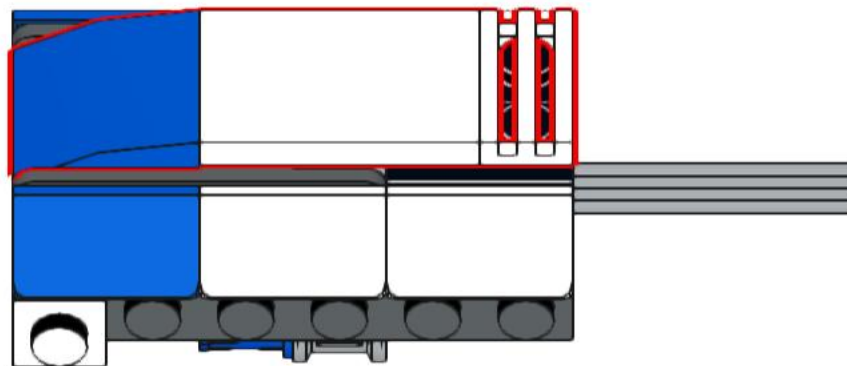
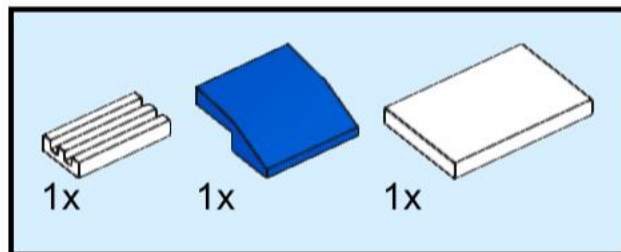
53



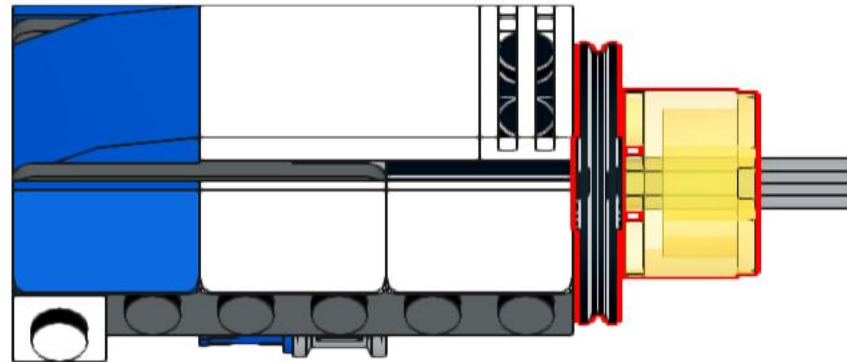
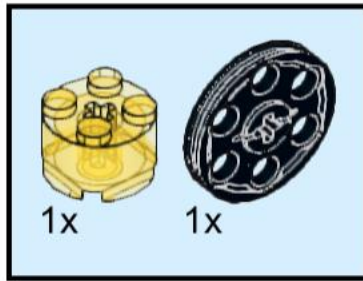
54



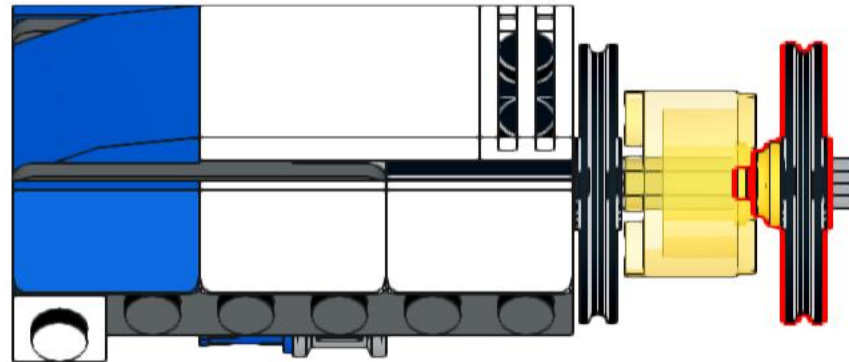
55



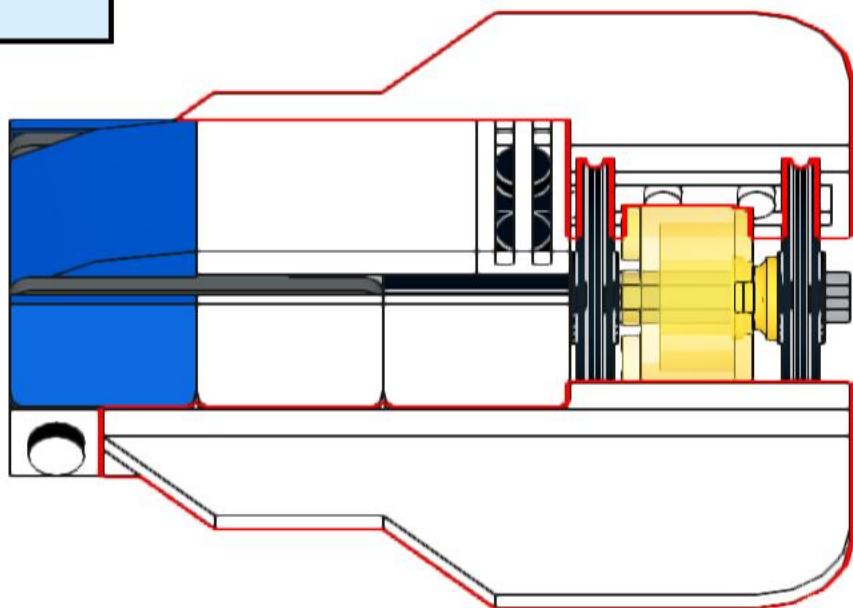
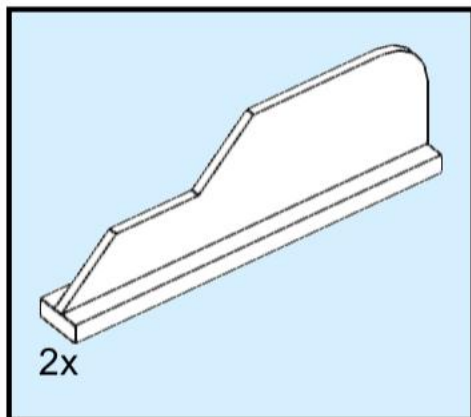
56



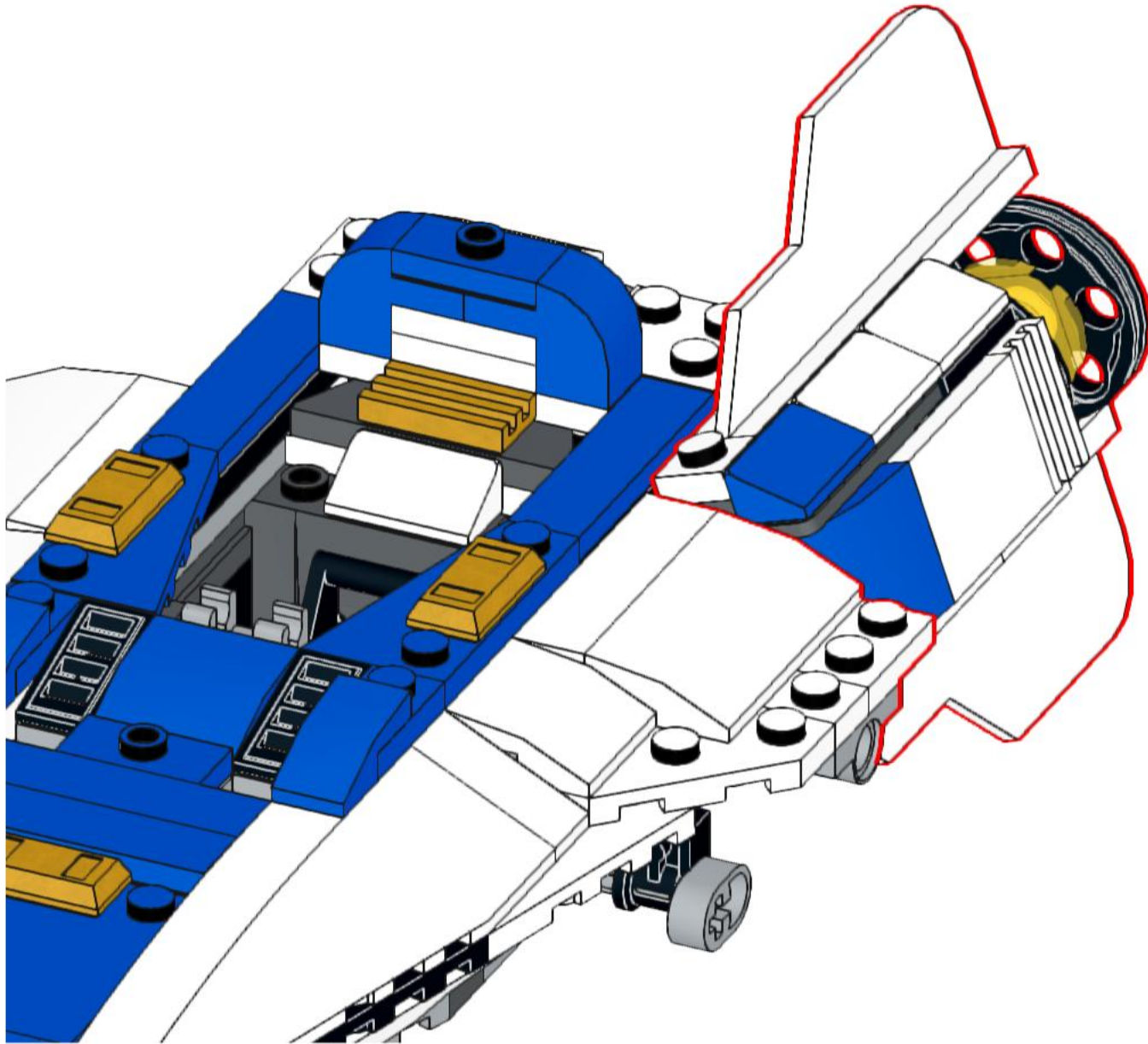
57



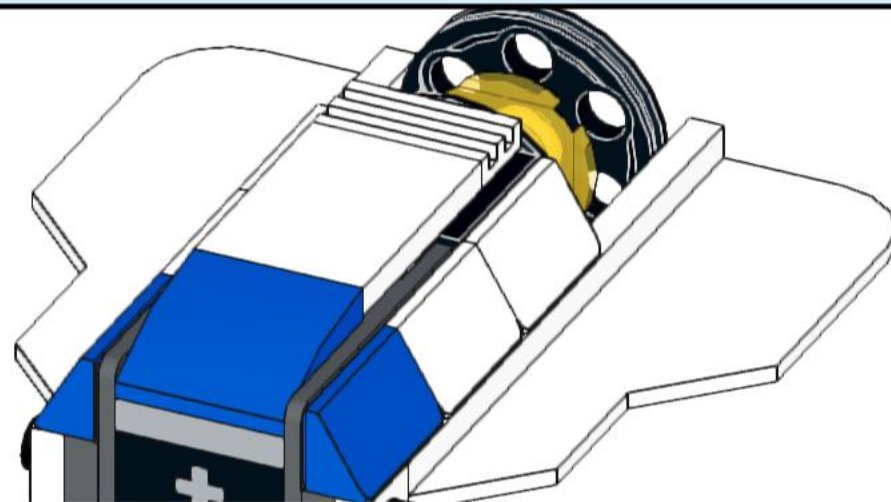
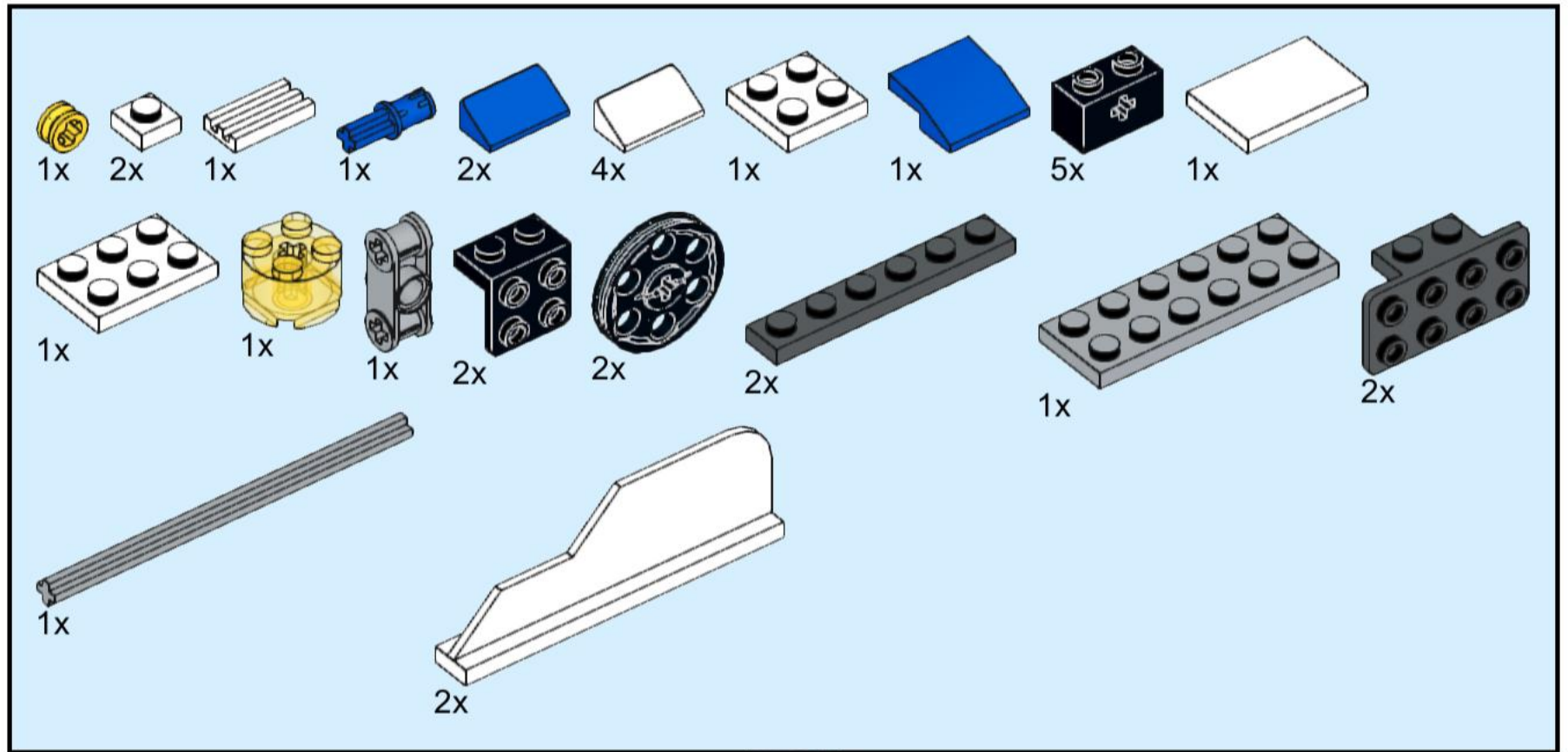
58



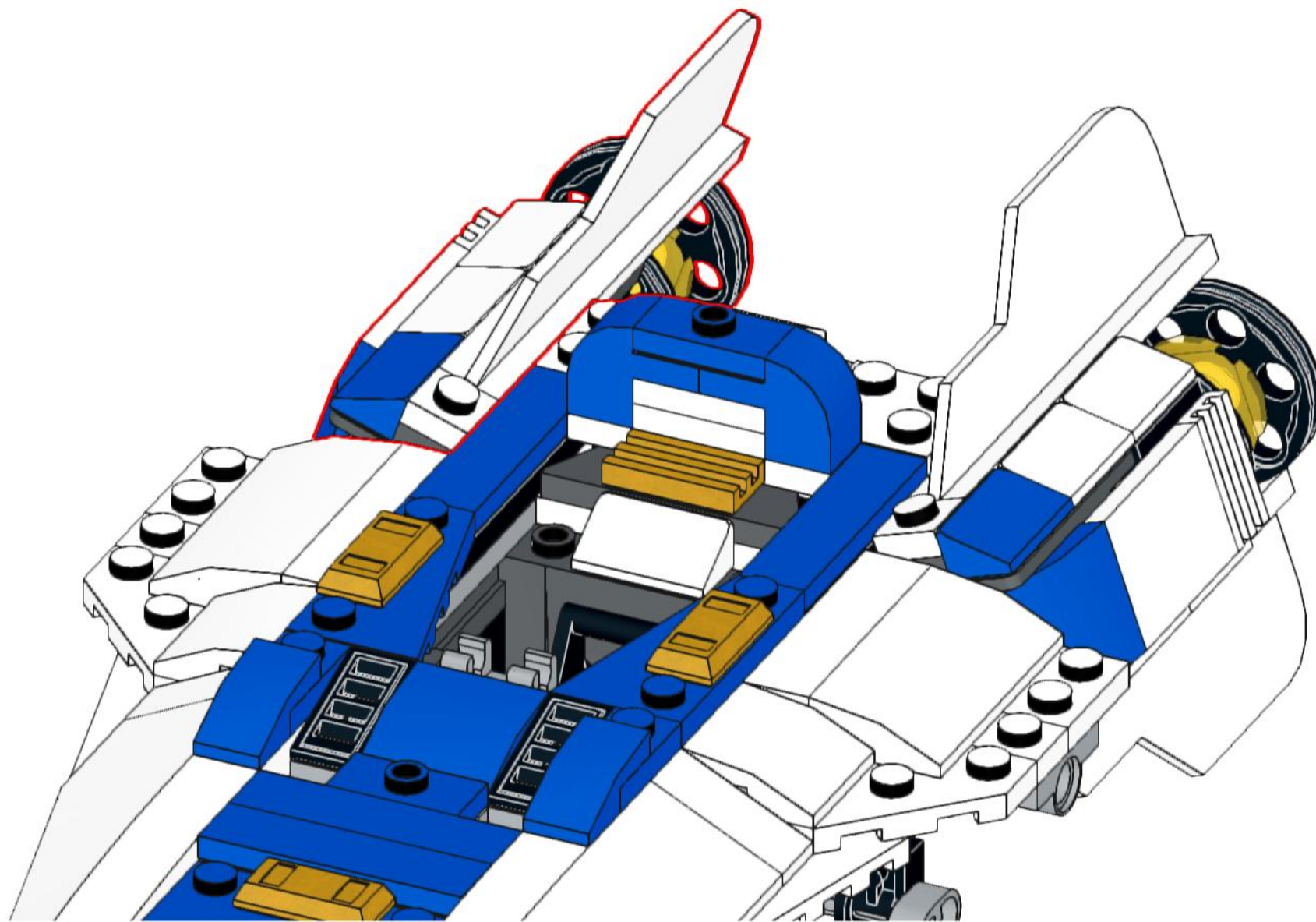
59



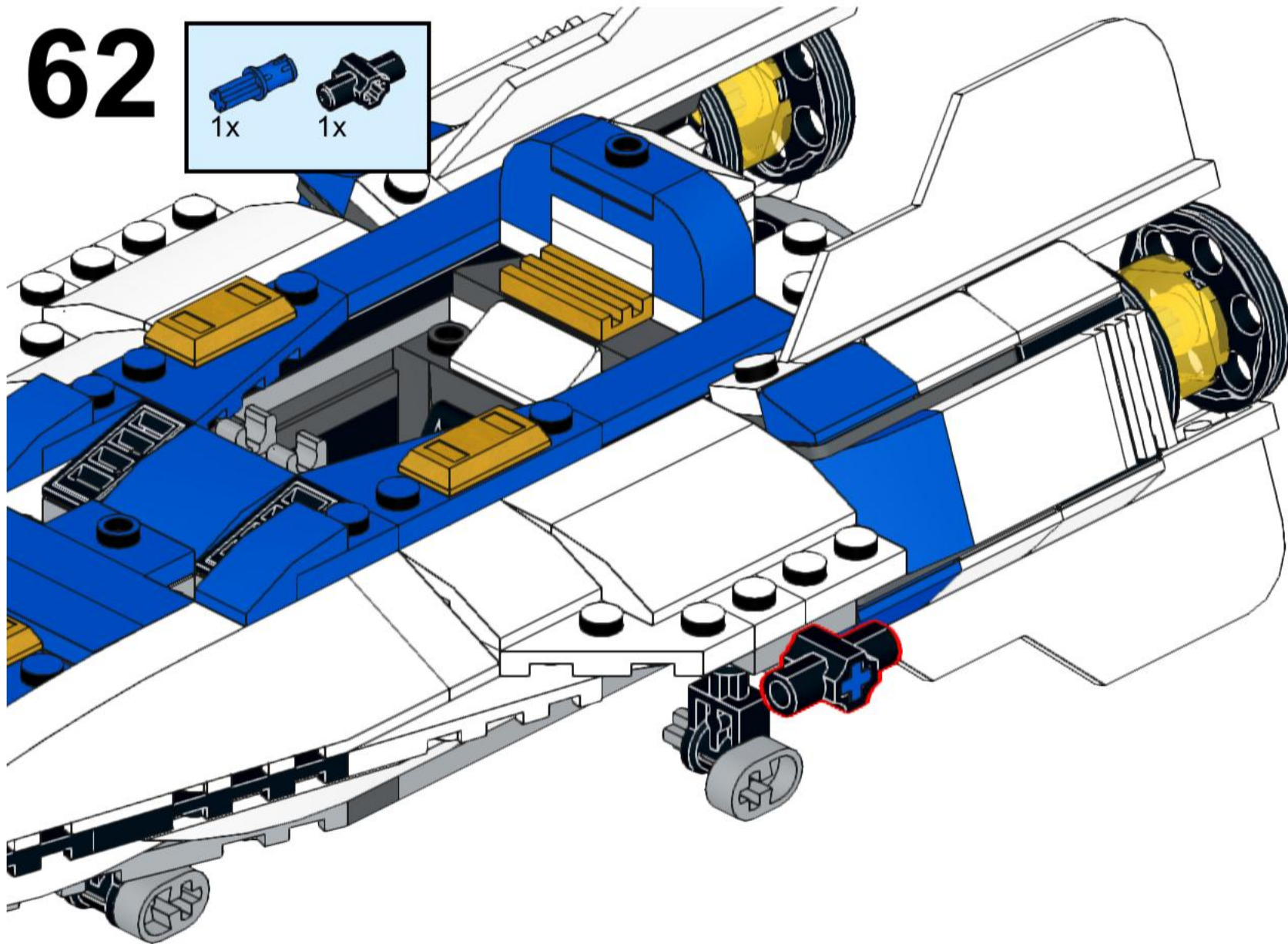
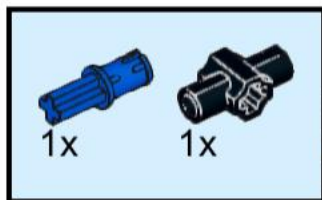
60






61

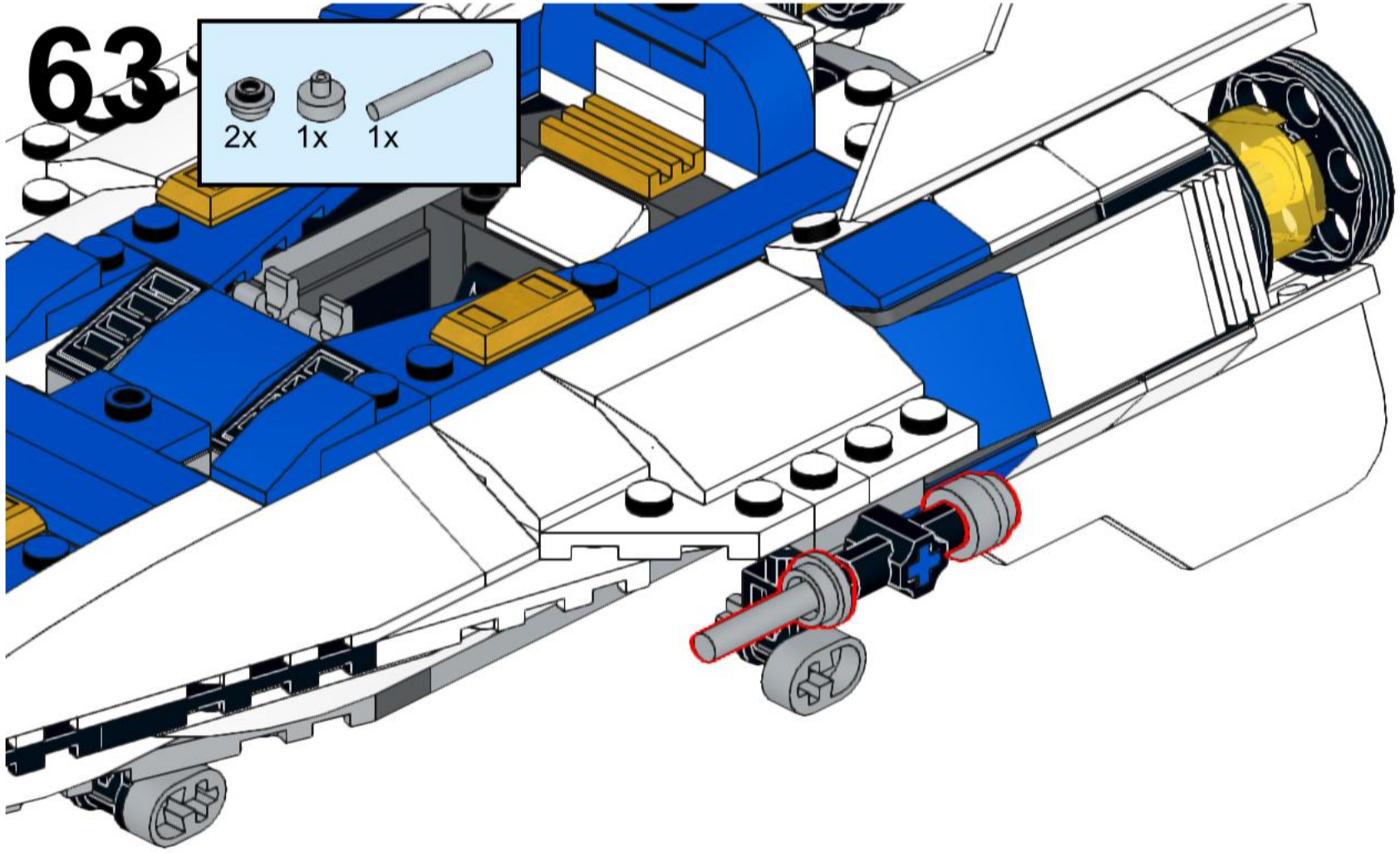


62

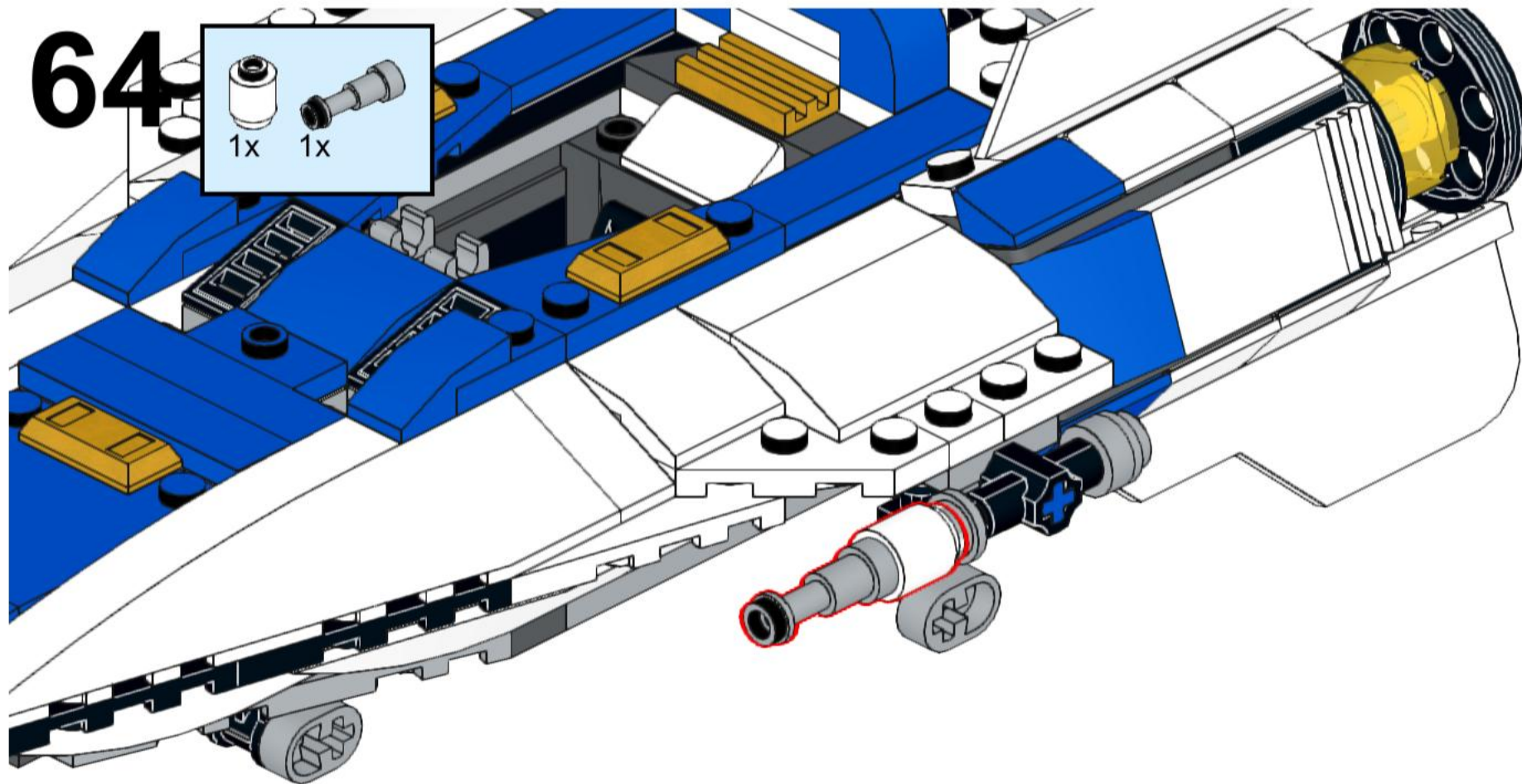
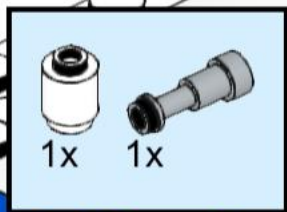


63

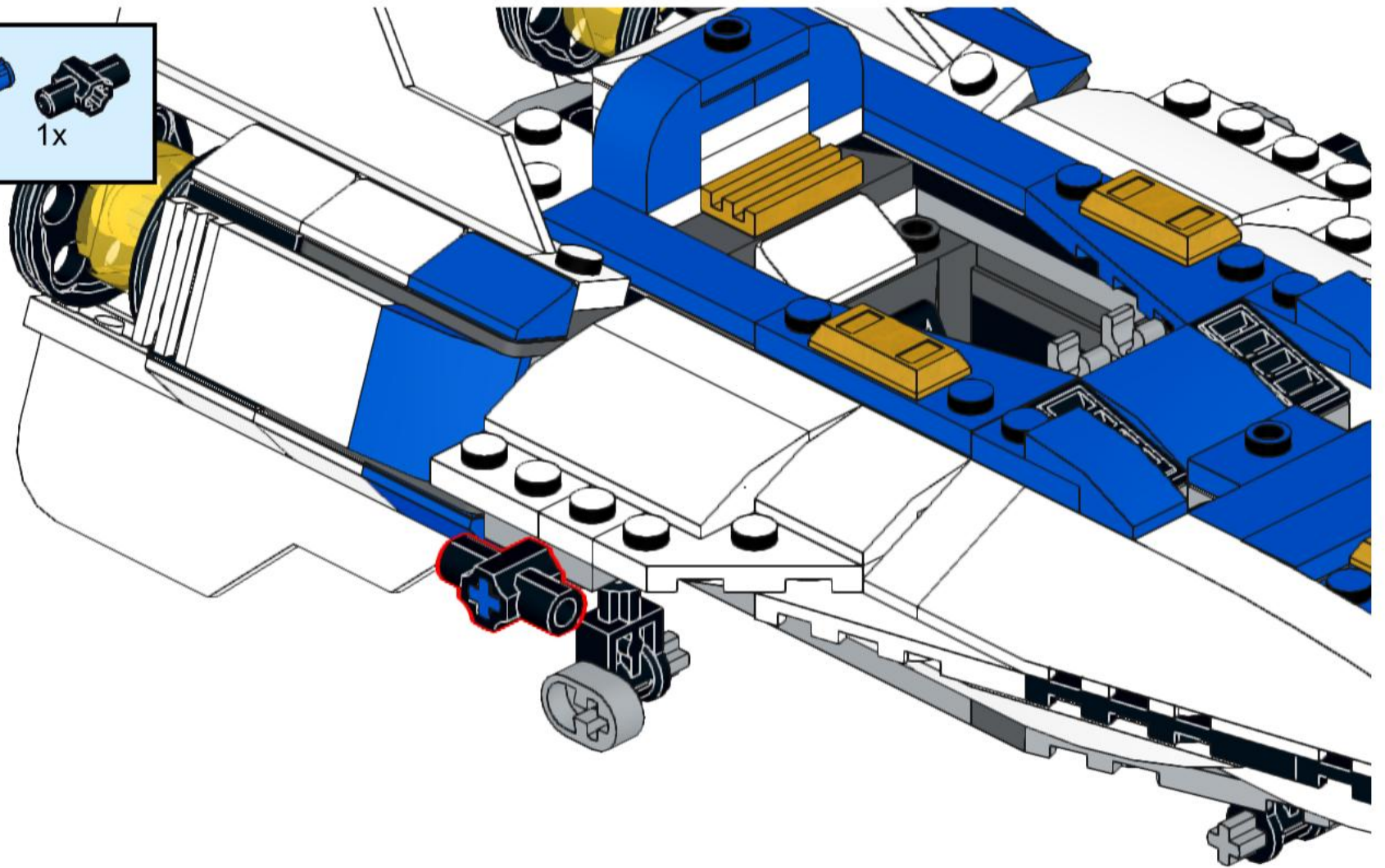
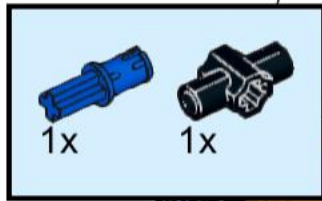
		
2x	1x	1x



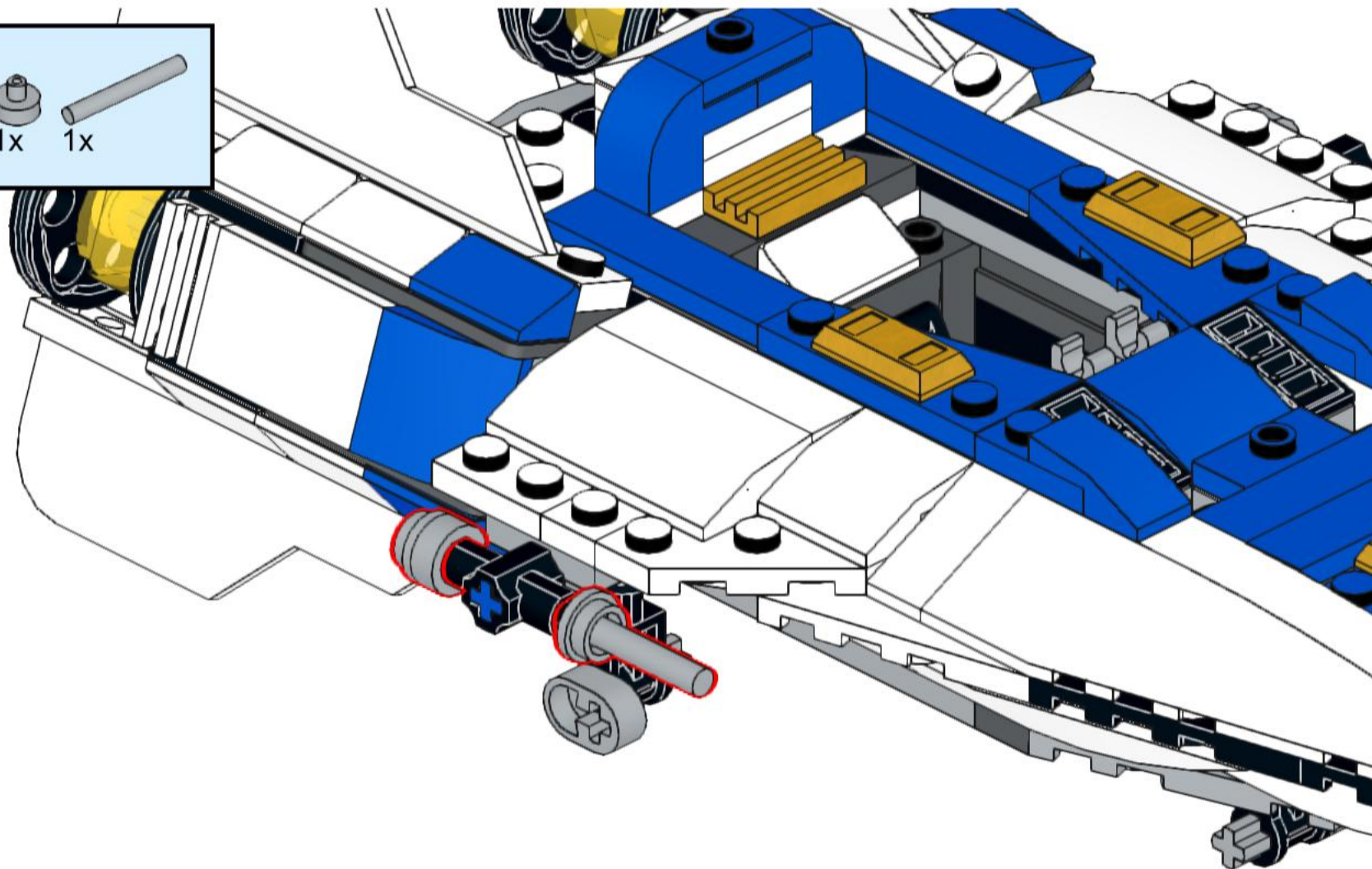
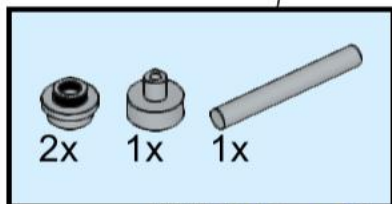
64



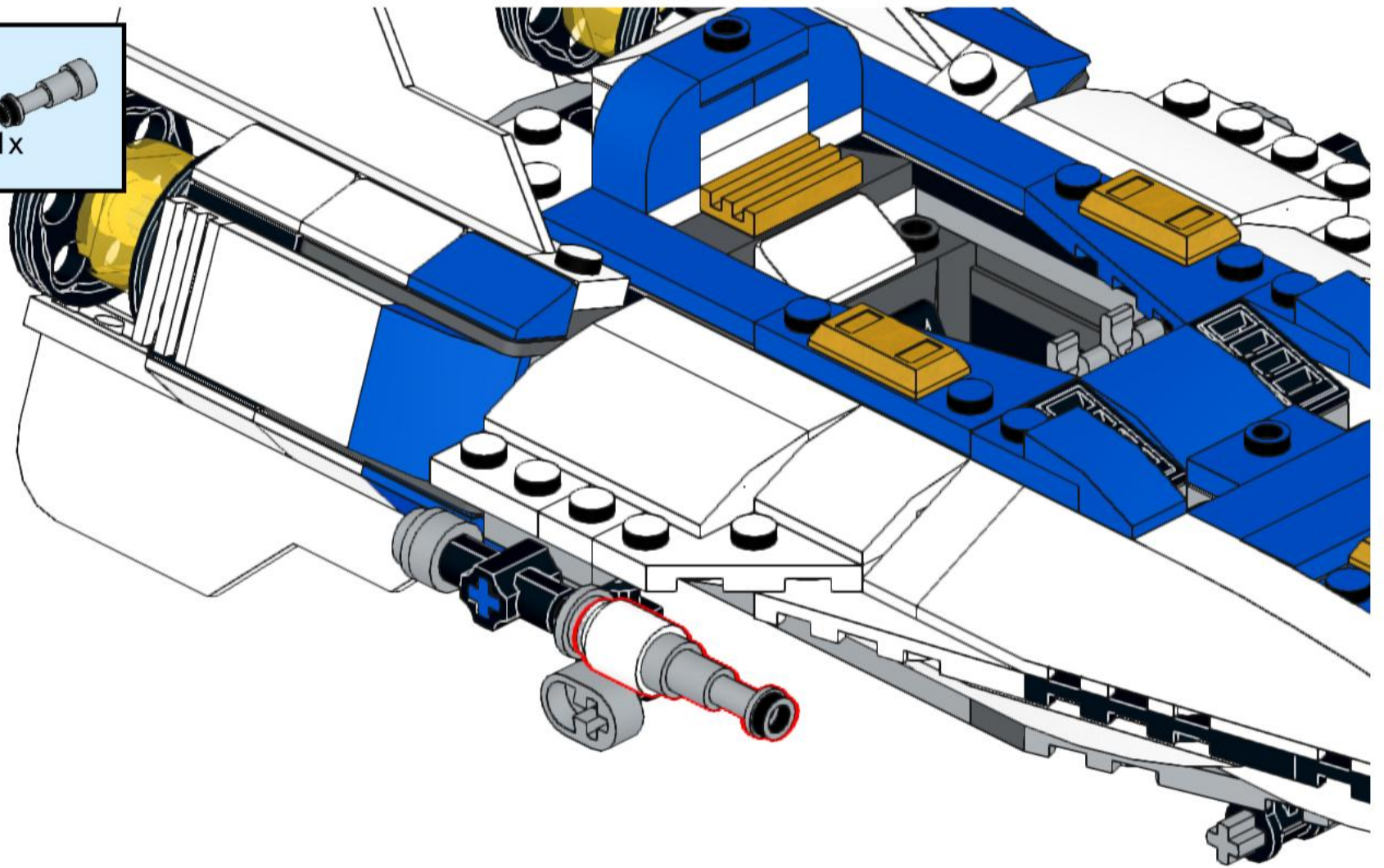
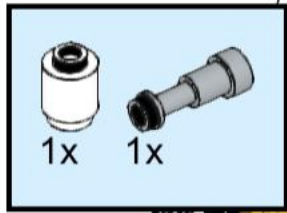
65



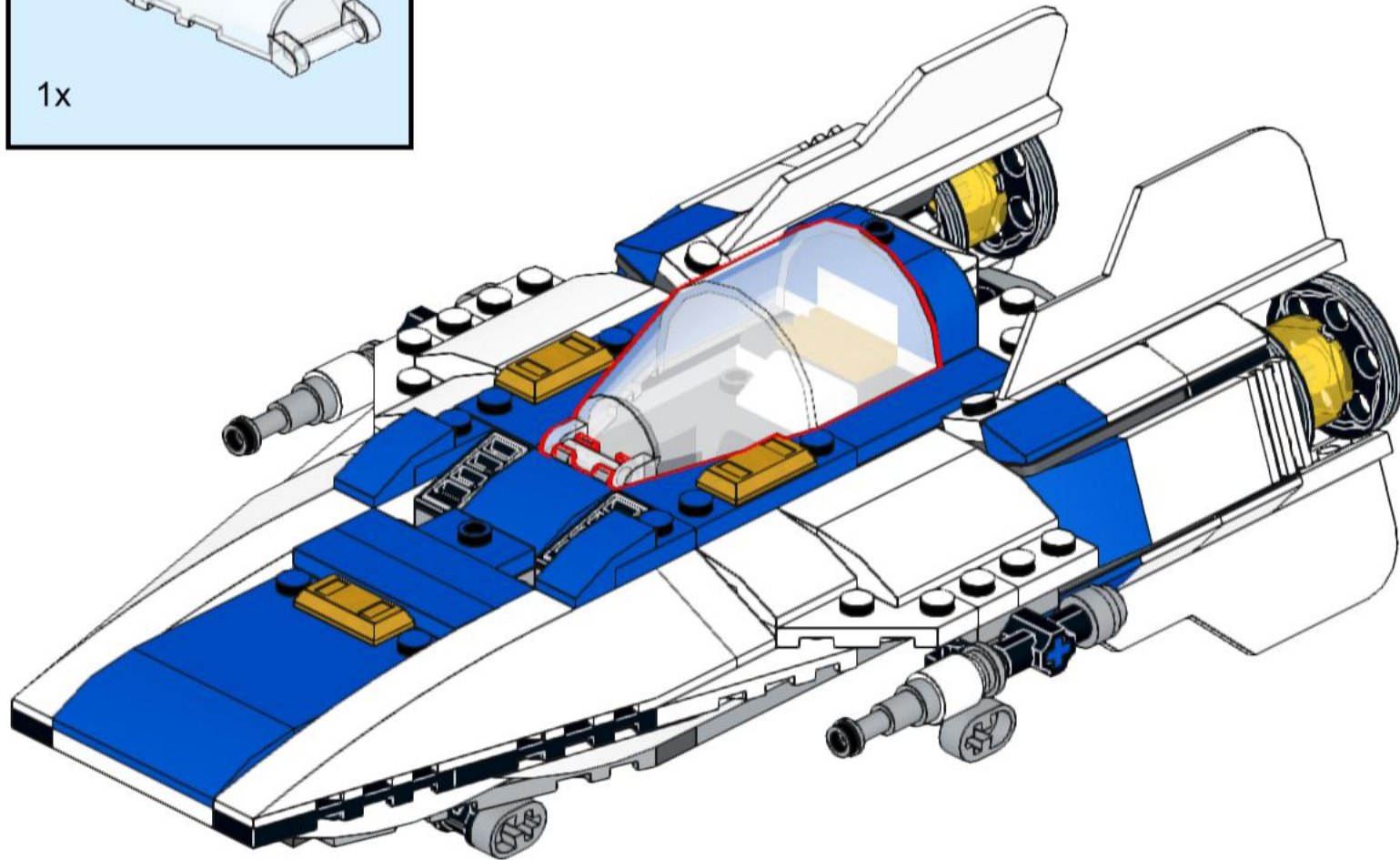
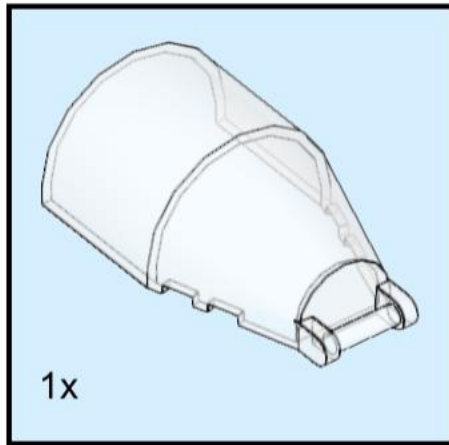
66



67



68



69

